

OPERATOR'S MANUAL

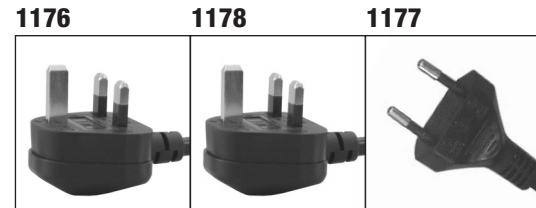
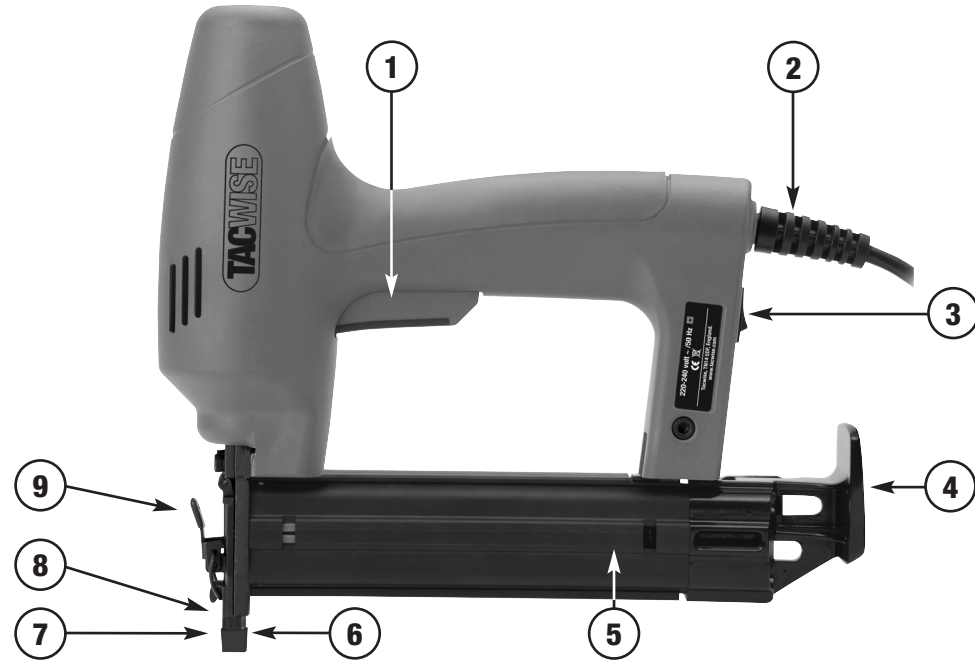
Master Nailer™

181ELS Pro



GB	OPERATOR'S MANUAL	5
F	MODE D'EMPLOI	9
D	BENUTZER-HANDBUCH	13
E	MANUAL DEL OPERADOR	18
I	MANUALE OPERATIVO	23

FIG. A



**Master Nailer™
181ELS Pro**

Congratulations!

On the purchase of your Tacwise power tool. Your tool will perform to your satisfaction for a long time if handled in accordance with our Safety and Operating instructions.

Save this manual for future reference

Package Contents

Please refer to the product packaging for details of pack contents.

Technical Data

Tool	181ELS Pro		
Model no.	1178	1176	1177
Fitted plug	UK	UK	Euro
Single unit packaging	Box	Case	Case
Input voltage	230V 50Hz		
Fasteners: Type	Tacwise 180 Nails		
Fasteners: length (mm)	15, 20, 25, 30, 32, 35		
Max. firing speed	4 Nails per second		
Magazine capacity	100 Nails		
Min. nailing distance from wall	4mm (without rubber nose)		
Weight	1.7kgs		
Fuses in Plug			
UK & Ireland	220-240v tools 13 Amperes		

Unpacking

This product has been supplied completely assembled.

- Carefully remove the tool and accessories from the box.
- Make sure that all items listed in the packing list are included. Do not attempt to modify this tool or create accessories not recommended for use with this tool. Any such alteration or modification is misuse and could result in a hazardous condition leading to a personal injury.
- Inspect the tool carefully to make sure no breakage or damage occurred during transit.
- Do not discard the packing material until you have carefully inspected and satisfactorily operated the tool.
- If any parts are damaged or missing, please email service@tacwise.com for assistance. Do not operate this tool until the missing or damaged parts are replaced. Failure to do so could result in a personal injury. Whilst every effort has been made to ensure accuracy of information contained within this manual, the Tacwise policy is one of continuous improvement to our products and as such we reserve the right to change the product specification without prior notice.

WARNING! Before use carefully read and understand all instructions.

Failure to do so could result in electric shock, fire and/or serious personal injury. The term "power tool" in all of the warnings listed below refers to your mains-operated (corded) power tool.

CE – Declaration of Conformity **181ELS Pro**

Tacwise declares that these power tools have been designed in compliance with the Regulations and Standards of the European Directives.

Quality Department, Tacwise Group Plc – UK

General Safety Instructions

Important. Tacwise recommends that this power tool should not be modified or used for any application other than that for which it was designed. If you are unsure of its relative applications do not hesitate to contact us and we will advise you.

Know your power tool

Read and understand the manual and labels affixed to the power tool. Learn its application and limitations as well as the specific potential hazards particular to this power tool. For any queries relating to safety matters on this power tool, please email: service@tacwise.com.

Work Area

- Keep your work area clean and well lit.** Cluttered benches and dark areas invite accidents.
- Keep children and pets away.** All visitors should be kept a safe distance from work area.
- Avoid dangerous environments.** Do not use power tools in damp or wet locations, or expose them to rain. Provide adequate space surrounding the work area. Do not use in environments with a potentially explosive atmosphere, such as in the presence of flammable liquids, gases or dust; power tools will create sparks which may ignite the dust or fumes.
- Secure work.** Use clamps or a vice to hold work. This frees both hands to operate the power tool.

Personal Safety

- Stay alert.** Always watch what you are doing and use common sense. Do not operate a power tool when you are tired or under the influence of medication, alcohol or drugs.
- Wear proper clothing.** Do not wear loose clothing or jewellery that can catch in moving parts. Non-slip footwear is recommended. Contain long hair. Roll long sleeves above the elbow.
- Avoid accidental starting.** Make sure the switch is in the locked or off position before plugging the machine into the power supply.
- Remove adjusting keys and wrenches.** Ensure that all keys and adjusting wrenches are removed from the power tool before turning it on. A wrench or a key that is left attached to a rotating part of the power tool may result in personal injury.
- Do not over reach or use on unstable surfaces.** Keep proper footing and balance at all times.
- Use safety equipment.** Dust mask, non-skid safety shoes, hardhat, or hearing protection must be used for appropriate conditions. Wear CE approved safety goggles at all times. Normal spectacles only have impact resistant lenses; they are NOT safety glasses.

Electrical Safety

- Disconnect power to the tool.** When not in use, before servicing or when changing accessories such as nails, etc.
- Do not expose power tools to rain or wet conditions.**

- **Power tools must match the outlet.** Never modify the plug in any way. Do not use any adapter plugs with earthed (grounded) power tools. Unmodified plugs and matching outlets will reduce risk of electric shock.
- **Protect yourself from electric shock.** When working with power tools, avoid contact with any earthed or grounded surfaces such as pipes, radiators, hobs and refrigerators.
- **Do not abuse the cord.** Never carry the power tool by the power cable or yank it from the socket. Keep the power cable away from heat, oil, sharp edges or moving parts. Damaged or entangled cords may create a fire or increase the risk of electric shock.
- **Working outdoors.** Only use an extension lead suitable for outdoor use. Be sure your extension lead is properly wired, and in good electrical condition.

Power Tool Use and Care

- **Do not force the power tool.** Use the correct power tool for your application. It will do the job better and safer at the rate for which it was designed.
- **Do not use the power tool if the switch does not turn it on or off.** A power tool that cannot be controlled with the switch is dangerous and must be repaired.
- **Disconnect the tool from the power source before making any adjustments, changing accessories or storing the power tool.** Such preventive safety measures reduce the risk of starting the power tool accidentally.
- **Do not alter or misuse the power tool.** Use of the power tool for operations different from those intended could result in a hazardous situation.
- **DO NOT fire if the nails are jammed.** This will cause damage to the driver blade and could invite accidents.
- **Keep fingers off the trigger** until ready to drive nail.
- **DO NOT use on hard surfaces** such as rock, concrete, masonry, bricks or steel. Personal injury or damage to the power tool could result.
- **Secure work.** Use clamps or other practical ways to secure and support the work piece to a stable platform. Holding the work by hand or against your body is unstable and may lead to loss of control.
- **Stored power tools.** When not in use, all power tools should be stored in a dry, locked cupboard and out of the reach of children and other untrained persons.
- **Check for damaged parts.** Check for misalignment or binding of moving parts, breakage of parts and any other condition that may affect the power tools operation. If damaged, immediately discontinue use and ensure the power tool is repaired before use. Poorly maintained power tools can result in accidents.
- **Maintain power tools with care.** Keep power tools sharp and clean for the best and safest performance. All cables must be checked at regular intervals and replaced if damaged.
- **Recommended accessories.** Use only accessories that are recommended by the manufacturer for your model. Accessories that may be suitable for one tool may create a risk of injury when used on another tool.
- **Keep the power tool and its handle dry, clean and free from oil and grease.** Always use a clean cloth when cleaning. Never use brake fluids, gasoline, petroleum-based products, or any strong solvents to clean your power tool. Following this rule will reduce the risk of loss of control and deterioration of the power tool housing.
- **Beware of hidden danger.** Always make sure there is no danger of hitting any hidden power cables, water or gas pipes.
- **Use clamps** or another practical way to secure and support the work place to a stable platform. Holding the work by hand or against your body is unstable and may lead to loss of control.

Specific Safety Instructions

- **Use only the nails specified in the manual.** Use of accessories that are not designed for this tool could result in personal injury and/or damage to the power tool.
- **Do not touch any parts of the power tool magazine or nose during operation.** Hold only by the handle or housing of the tool.
- **Do not activate the power tool unless it is in contact with the work piece.** Serious injury can result if you depress the safety lock pin on nose/contact trip with your fingers, or by improper operation.
- **Fastening thin items.** Special caution must be taken for possible penetration through thin items, as this could cause possible harm to anyone or anything behind the work piece or immediate area.
- **Never use the tool as a hammer.** The sudden impact could shift inner components of the power tool, resulting in a fastener discharge and injury.
- **Always unload the magazine** when fastening has been completed and disconnect from the power source.
- **Do not disassemble or block any of the fastener driving parts.**
- **Prior to each operation.** Check that the safety and triggering mechanism is functioning properly and that all nuts and bolts are tight.
- **Never point any power tool at yourself or at any other person.** While working, hold the tool in such a way that no injuries can be caused to the head or to the body in the event of possible recoil.
- **Never actuate the power tool into free space or the air.** Fasteners can penetrate thin work pieces or slip off corners and edges of the work piece, potentially putting people at risk.
- **Do not drive fasteners on top of other fasteners.**

Using an Extension Cable/Lead

An extension lead should not be used unless absolutely necessary. If essential, use an approved extension cable suitable for the power input of your tool (see technical data). The minimum conductor size is 1mm², the maximum length is 30 metres.

Mains Plug Replacement for UK & Ireland only

- Your Tacwise tool is double insulated in accordance with EN60335-1.
- Should your mains plug need replacing and you are competent to do this, proceed as instructed below. If you are in doubt, contact an authorised Tacwise engineer or a qualified electrician.
- Disconnect the plug from the supply.
- Cut off the plug and dispose of it safely; a plug with bared copper conductors is dangerous if engaged in a live socket outlet.
- The cable wire colours, or a letter, will be marked at the connection points of most good quality plugs. Attach the wires to their respective points in the plugs. Brown is for Live (L) and Blue is for Neutral (N).
- Before replacing the top cover of the mains plug ensure that the cable restraint is holding the outer sheath of the cable firmly and that the two leads are correctly fixed at the terminal screws.
- Never use a light socket. Never connect the Live (L) or Neutral (N) wires to the earth pin marked E or \perp

Service

Servicing requires extreme care and knowledge and should be performed only by a qualified Tacwise Service Engineer. Service or maintenance performed by an unqualified person may result in a risk of injury.

Model and Serial No.

The model number of this tool will be found on a label located near the tools magazine channel and the serial number is on the body of the tool. Please record the model number and serial number in the space provided below. Please always give the following information when contacting us:

MODEL NUMBER

SERIAL NUMBER

Features (Fig. A)

Your 181ELS Pro has been designed for driving fasteners into wooden work pieces.

1. Rubberised safety trigger
2. Long power cord
3. On/off safety switch
4. Professional quick release reload catch
5. All metal professional magazine with locating nail rails
6. Metal professional nose safety system
7. Rubber protector for soft surfaces
8. Long protruding nose to nail into tight corners/grooves
9. Unique quick release nose plate

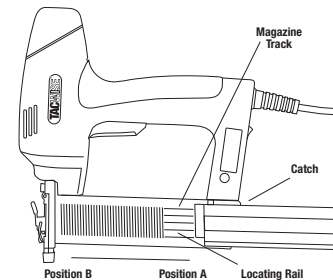
On/Off Safety Switch

This tool is equipped with an on/off safety switch (4), which prevents the tool from firing a nail by locking the trigger (1) when the switch is positioned to off mode. When the switch is on, the trigger will be activated. Always ensure the on/off safety switch is off before making any adjustments or when tool is not in immediate use.

Loading the Tool with Nails

- Unplug the tool from the power source.
- Slide the pusher backwards from position B to position A by releasing the catch.
- Tilt the tool and place nails into the track of the magazine channel with the points of the nails facing downwards. Close base while making sure nail strip stays upright in channel.
- Push magazine shut until catch clicks.
- Plug the tool back into the power source.

NOTE: We strongly recommend that you only use approved/ genuine Tacwise nails as we have experienced many service issues following the use of inferior fasteners.



Unloading the Tool

- Unplug the tool from the power source.
- Slide the pusher backwards from position B to position A by releasing the catch.
- Tilt the tool and remove any nails in channel.
- Push magazine shut until catch clicks.

Non-marking nose/tip protector

This tool is supplied with a removable rubber nose protector (8), which prevents the tool from marking the surface of the work piece. This tool is designed to be used both with and without the rubber nose protector according to the application. For example to fasten into tight corners use the tool without the nose, and for soft surfaces

which could be damaged and left visible add the rubber nose protector. To remove the nose protector simply pull it off and store it whenever it is not required. To order additional nose protectors, please quote code: 1172. Make sure the on/off safety switch is off before installing or removing the nose protector.

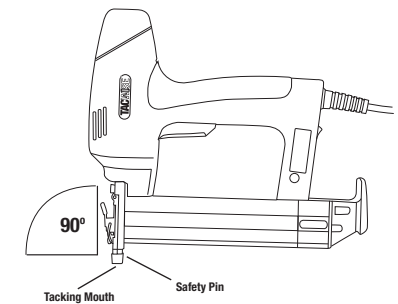
Instructions for use

Preparing the tool

- Remove all nails from the magazine (See "Unloading the Tool" for instructions).
- Check that the nose safety/contact trip can move freely.
- Reload the nails to the magazine.
- Do not use the tool if the nose safety/contact trip cannot move freely.

Nailing

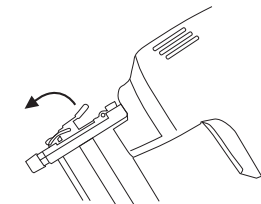
- Turn the tool on at the on/off switch.
- Hold tool firmly with tacking mouth against workpiece - the safety pin in the mouth of the tool must be pressed firmly against the workpiece or it will not operate.
- Squeeze trigger to fire the tool.
- On hard surfaces press down on top of tool with free hand.
- On soft surfaces use light pressure to prevent deep nail penetration, and use the nose piece (supplied) to prevent marking the surface.



Removing a Jammed Nail from the Nosepiece

NOTE: You must remove any jammed nail before using the tool any further. If you try to fire a nail while the tool is jammed, you could cause damage to the mechanism.

- Unplug the tool from the power source.
- Tilt the tool and remove any unused nails in channel, this should clear the jammed fastener.
- If this does not work release the nose plate.



- Following the removal of a jammed nail, always carefully test the tool function fully before proceeding with any work. If nails become jammed in the nosepiece frequently, have the tool serviced by a Tacwise engineer.

Maintenance

Your Tacwise Power Tool has been designed to operate over a long period of time with a minimum of maintenance. Continuous satisfactory operating depends upon proper tool care and regular cleaning.

Cleaning

- Unplug the tool before cleaning the housing with a soft cloth.
- Keep the ventilation slots clear and regularly clean.

Lubrication

This tool requires no lubrication. Do not lubricate the tool, as it will damage the internal parts.

Product Advice & Technical Support

What to do if you have a problem with your Tacwise power tool?
Email service@tacwise.com.

Nails jam in tool

- Use genuine Tacwise fasteners of the type specified for the tool.
- Choose the appropriate material or fastener length.
- Clean/clear the nosepiece.
- Clean the magazine.

Tool does not drive nails

- Load fasteners into the magazine.
- Use genuine Tacwise fasteners of the type specified for the tool.
- Clean/clear the nosepiece.
- Clean the magazine.

Tool does not drive the nail fully

- Choose the appropriate material or fastener length.
- The material may be too hard to fully drive longer length nails.

Tacwise Recycling Service - serving the customer and the environment.

Unwanted Tools

Recycle unwanted materials instead of disposing them as waste. All tools and packaging should be sorted, taken to the local recycling centre and disposed of in an environmentally safe way. Alternatively, please email service@tacwise.com for details on how to dispose of your Tacwise power tool free of charge in an environmentally friendly manner.

Guarantee

All Tacwise power tools are carefully checked, tested and are subject to the stringent controls of Quality Assurance. Tacwise therefore offers the following guarantee for Tacwise power tools. Your warranty claim based on your sales contract with the retailer, including your statutory rights, shall not be affected by this guarantee.

One-Month Guarantee

If you are not completely satisfied with the performance of your Tacwise power tool or it is faulty or damaged on purchase then we will exchange the product or issue a full refund within 28 days of purchase. Proof of purchase must be produced with an original receipt and the tool must be returned complete as purchased to the point of purchase. This does not affect your statutory rights.

One-Year Free Servicing

If your Tacwise power tool requires maintenance or servicing in the 12 months following purchase, it will be undertaken free of charge by a Tacwise Service Engineer. Proof of purchase must be produced with

an original receipt. This includes labour and spare parts for the tool. However in some cases the most economical option will likely be a replacement service exchange unit supplied by Tacwise. Accessories such as batteries, fasteners, etc are excluded.

One-Year Standard Warranty

Should your Tacwise power tool become defective due to faulty materials or workmanship within 12 months from the date of purchase, we guarantee to replace all defective parts free of charge or at our discretion, replace the tool free of charge. This warranty does not cover:

- Tools that have received unauthorised changes or additions.
- Defects caused by using accessories, components or spare parts other than approved/genuine Tacwise accessories or parts.
- Component parts that are subject to natural wear and tear caused by use in accordance with our operating instructions.
- Defects to the tool caused by improper use, abnormal environmental conditions or inappropriate operating conditions, non-compliance with our operating instructions or insufficient servicing or maintenance.
- Proof of purchase must be produced with an original receipt.

For details of your nearest Tacwise Service Engineer, please email service@tacwise.com, or to register your warranty visit www.tacwise.com/register.asp



Scan the QR Code above for answers to frequently asked questions about our electric tool range.

Master Nailer™ 181ELS Pro

Félicitations!

Vous venez d'acheter un outil électrique Tacwise. Afin de garantir votre satisfaction et la longévité de votre outil, veuillez respecter nos consignes de sécurité et suivre le mode d'emploi.

Merci de conserver ce mode d'emploi à titre de référence.

Contenu de l'emballage

Les détails du contenu sont donnés sur l'emballage du produit.

Fiche technique

Outil	181ELS Pro		
Numéro de modèle	1178	1176	1177
Fiche électrique	UK	UK	Euro
Tension d'alimentation	230V 50Hz		
Fixations : Type	Tacwise 180 Clous		
Fixations : longueur (mm)	15, 20, 25, 30, 32, 35		
Vitesse max. detir	4 clous seconde		
Capacité de chargeur	100 clous		
Distance de clouage	4mm (sans protecteur		
min. par rapport au mur:	de nez en caoutchouc)		
Poids	1.7kgs		

Déballage

Ce produit est fourni entièrement assemblé.

- Retirez soigneusement l'outil et les accessoires de la boîte.
- Vérifiez la présence de toutes les pièces répertoriées sur la liste. Ne tentez pas de modifier cet outil ou de créer des accessoires non recommandés pour cet outil. Une modification ou un usage abusif pourraient être dangereux et causer une blessure.
- Inspectez soigneusement l'outil pour vous assurer de l'absence de pièces cassées ou endommagées durant le transport.
- Ne jetez pas l'emballage tant que l'outil n'a pas été soigneusement inspecté et mis à l'essai.
- En cas de pièce(s) défectueuse(s) ou manquante(s), adressez-vous à service@tacwise.com. N'utilisez pas cet outil tant que les pièces manquantes ou endommagées n'ont pas été remplacées. Cela pourrait entraîner une blessure. Bien que tous les efforts aient été consentis pour assurer l'exactitude de l'information contenue dans ce mode d'emploi, Tacwise adhère à une politique d'amélioration continue de ses produits et se réserve le droit d'en modifier les spécifications sans avis préalable.

AVERTISSEMENT ! Toutes les consignes doivent avoir été lues attentivement et comprises avant l'emploi.

À défaut, des risques de décharge électrique, d'incendie et/ou de blessures graves sont possibles. Le terme « outil électrique » dans tous les avertissements ci-dessous fait référence à votre outil électrique à fil ou sans fil (à piles/batterie).

Déclaration de conformité CE 181ELS Pro



Tacwise déclare que ces outils électriques sont conformes aux règlements et normes des directives Européennes.

Département de qualité, Tacwise - Royaume-Uni

Consignes générales de sécurité

Important. Tacwise recommande que cet outil électrique ne soit ni modifié ni soumis à des usages autres que ceux prévus. En cas de doute quant aux usages possibles de l'appareil, n'hésitez pas à nous contacter.

Connaissez votre outil électrique

Lisez et comprenez le manuel et les étiquettes posées sur l'outil électrique. Renseignez-vous sur ses usages et ses limitations ainsi que sur les dangers potentiels spécifiques particuliers à cet outil. Merci d'adresser vos demandes de renseignement concernant la sécurité à : service@tacwise.com.

Zone de travail

- **La zone de travail doit être propre et bien éclairée.** Les établis encombrés et les zones sombres invitent les accidents.
- Gardez les enfants et les animaux familiers éloignés. Tous les visiteurs devraient être maintenus à une distance sûre de la zone de travail.
- **Évitez les environnements dangereux.** Les outils électriques ne doivent pas être employés dans les lieux humides ou mouillés. Ils ne doivent pas être exposés à la pluie. Prévoyez un espace adéquat autour de la zone de travail. N'utilisez pas l'appareil dans une atmosphère potentiellement explosive, c'est-à-dire, par exemple, en présence de liquides inflammables, de gaz ou de poussière. Les outils électriques provoqueront des étincelles qui risquent de réagir avec la poussière ou les fumées et de déclencher un incendie.
- **Fixez votre travail.** Utilisez un serre-joint ou un étau pour tenir votre matériau en place. Cela vous libère les mains pour la manipulation de l'outil électrique.

Sécurité personnelle

- **Restez alerte.** Regardez toujours ce que vous êtes en train de faire et agissez avec bon sens. N'utilisez pas un outil électrique lorsque vous êtes fatigué ou sous l'influence de médicaments, d'alcool ou de drogue.
- **Portez des vêtements de protection.** Ne portez pas de vêtements amples ou de bijoux pouvant se prendre dans les pièces mobiles. Des chaussures antidérapantes sont recommandées. Attachez les cheveux longs. Remontez vos manches au-dessus des coudes.
- **Évitez les mises en route accidentelles.** Assurez-vous que l'interrupteur est à la position de sûreté ou d'arrêt avant de brancher l'outil.
- **Retirez les clés de réglage.** Assurez-vous que toutes les clés de réglage sont retirées de l'outil électrique avant de le mettre en marche. Une clé de réglage laissée fixée à une pièce rotative de l'outil peut blesser.
- **Ne travaillez pas sur la pointe des pieds ou sur des surfaces instables.** Gardez votre équilibre, les deux pieds au sol en permanence.
- **Protégez-vous.** Masque anti-poussière, chaussures antidérapantes, casque ou protège-oreilles doivent être portés

selon les conditions. Portez toujours des lunettes de protection homologuées CE. Les lunettes normales ne possèdent que des verres résistants aux chocs. Elles n'assurent AUCUNE protection.

Sécurité électrique

- **Débranchez l'outil électrique.** Quand il n'est pas utilisé, avant une réparation ou lorsque vous changez les accessoires (pointes, etc.)
- **N'exposez pas les outils électriques à la pluie ou à des conditions humides.**
- **Les fiches des outils électriques doivent correspondre aux prises murales.** Ne modifiez jamais la fiche. N'utilisez pas d'adaptateur avec des outils électriques mis à la terre. Des fiches et prises murales non modifiées réduisent le risque de décharge électrique.
- **Protégez-vous contre les décharges électriques.** Lorsque vous travaillez avec des outils électriques, évitez tout contact avec des surfaces mises à la terre (conduits, radiateurs, plaques de cuisson et réfrigérateurs).
- **Évitez tout usage abusif du cordon d'alimentation.** Ne portez jamais l'outil électrique par le cordon d'alimentation et ne tirez jamais sur le cordon pour débrancher. Tenez le cordon électrique hors de proximité de chaleur, d'huile, d'arêtes coupantes ou de pièces mobiles. Les cordons endommagés ou emmêlés peuvent provoquer un incendie ou augmenter le risque de décharge électrique.
- **Travail à l'extérieur.** Utilisez exclusivement une rallonge pour l'extérieur. Votre rallonge doit être correctement câblée et en bon état.

Emploi et entretien d'un outil électrique

- **Ne forcez pas l'outil électrique.** Utilisez l'outil adapté à votre projet. Il vous offrira performance et sécurité, à la vitesse pour laquelle il a été conçu.
- **N'utilisez pas l'outil électrique si l'interrupteur ne fonctionne pas.** Un outil électrique qui ne peut pas être contrôlé avec l'interrupteur est dangereux et doit être réparé.
- **Débranchez l'outil de la source d'alimentation avant d'effectuer un réglage, de changer d'accessoires ou de le ranger.** Ces mesures de prévention permettent de réduire le risque de mise en marche intempestive de l'outil.
- **Abstenez-vous de toute modification ou de tout usage abusif de l'outil électrique.** L'utilisation de l'outil électrique pour des opérations autres que celles prévues peut entraîner des situations dangereuses.
- **N'actionnez PAS l'outil en cas de blocage des pointes.** Cela endommagera le poussoir et peut provoquer des accidents.
- **Ne posez les doigts sur la gâchette que lorsque vous êtes prêt à clouer.**
- **N'utilisez PAS l'outil sur des surfaces dures** (pierre, béton, maçonnerie, brique ou acier). Cela risque de provoquer des blessures ou d'endommager l'appareil.
- **Fixez votre travail.** Utilisez des serre-joints ou autres moyens pratiques d'assurer la retenue et la stabilité de la pièce à travailler. Si vous tenez la pièce dans la main ou contre vous, vous manquerez de stabilité et risquez de perdre le contrôle de l'outil.
- **Rangement des outils électriques.** Quand ils ne sont pas utilisés, tous les outils électriques devraient être rangés dans un lieu sec et sous verrou, hors de portée des enfants et d'autres personnes non formées à leur emploi.
- **Vérifiez l'état des pièces.** Assurez-vous de l'absence de défauts d'alignement ou de fixation des pièces mobiles, de pièces cassées et de tout autre défaut pouvant avoir un effet sur le fonctionnement de l'outil électrique. En cas d'endommagement, arrêtez immédiatement d'utiliser l'outil en question et faites-le

réparer. Les outils électriques mal entretenus peuvent provoquer des accidents.

- **Entretenez correctement les outils électriques.** Nettoyez régulièrement vos outils électriques pour en assurer la sécurité et une performance optimale. Tous les câbles doivent être vérifiés à intervalles réguliers et remplacés s'ils sont endommagés.
- **Accessoires recommandés.** Utilisez exclusivement les accessoires recommandés par le fabricant de votre modèle. Les accessoires adaptés à un outil particulier peuvent poser un risque de blessure lorsqu'ils sont employés sur un autre.
- **L'outil et sa poignée doivent être secs, propres et dépourvus d'huile et de graisse en permanence.** Utilisez toujours un chiffon propre pour le nettoyage. N'utilisez jamais de liquide de frein, d'essence, de produits à base de pétrole ou de solvants puissants pour nettoyer votre outil électrique. En respectant cette règle, vous réduirez le risque de perte de contrôle et de détérioration du boîtier de l'outil électrique.
- **Soyez conscient des dangers cachés.** Assurez-vous toujours que vous ne risquez pas de heurter des câbles électriques ou des canalisations d'eau ou gaz dissimulés.
- **Utilisez des serre-joints ou autres moyens pratiques d'assurer la retenue et la stabilité de la pièce à travailler.** Si vous tenez la pièce dans la main ou contre vous, vous manquerez de stabilité et risquez de perdre le contrôle de l'outil.

Consignes de sécurité spécifiques

- **Utilisez exclusivement les pointes spécifiées dans le manuel.** L'utilisation d'accessoires qui n'ont pas été conçus pour cet outil pourrait provoquer des blessures ou endommager l'outil électrique.
- **Ne touchez aucune partie du magasin ou du bec de l'outil électrique pendant le fonctionnement.** Tenez l'outil par la poignée ou par le boîtier uniquement.
- **N'actionnez pas l'outil électrique s'il n'est pas en contact avec la pièce.** Vous risquez un accident grave si vous enfoncez la broche de sécurité du bec/le dispositif de déclenchement par contact avec les doigts, ou si vous utilisez l'outil incorrectement.
- **Clouage de matériaux fins.** Soyez particulièrement prudent lorsque vous fixez des matériaux fins pouvant être traversés par les pointes. Vous risquez de blesser quelqu'un derrière ou à côté de la pièce.
- **N'utilisez jamais l'outil comme un marteau.** Le choc soudain pourrait déplacer les pièces internes de l'outil électrique et provoquer une décharge de pointes pouvant blesser.
- **Videz et débranchez toujours l'outil** lorsque l'opération de fixation est terminée.
- **Les pièces des outils de fixation ne doivent être ni démontées ni bloquées.**
- **Avant chaque opération,** vérifiez que le mécanisme de sûreté et de détente fonctionne correctement et que tous les écrous et boulons sont bien serrés.
- **Ne pointez jamais un outil électrique vers vous ou vers une autre personne.** Pendant que vous travaillez, tenez l'outil de telle sorte qu'aucune blessure ne puisse être causée à la tête ou au corps en cas de recul éventuel.
- **N'actionnez jamais l'outil électrique dans le vide.** Les pointes peuvent pénétrer dans les pièces fines ou glisser sur les angles et des arêtes de la pièce, causant ainsi des risques de blessures.
- **N'enfoncez pas les pointes par dessus d'autres pointes.**

Utilisation d'une rallonge

N'utilisez une rallonge que si cela est absolument nécessaire. Dans ce cas, utilisez une rallonge homologuée adaptée à votre chargeur (voir la fiche technique). La taille de conducteur minimale est d'1 mm² et la longueur maximale est de 30 mètres.

Réparations

Les réparations exigent un soin extrême et un niveau élevé de connaissance. Elles ne devraient être confiées qu'à un ingénieur réparateur Tacwise qualifié. Les opérations de réparation ou de maintenance exécutées par une personne non qualifiée peuvent résulter en un risque d'accident.

Modèle et n° de série

Le numéro de modèle de cet outil est indiqué sur une étiquette située sur le guide du chargeur. Le numéro de série se trouve sur le carter de l'outil. Veuillez noter le numéro de modèle et le numéro de série dans l'espace ci-dessous. Soyez toujours muni de cette information lorsque vous prenez contact avec nous:

NUMÉRO DE MODÈLE

NUMÉRO DE SÉRIE

Fonctions (Fig. A)

Votre outil 181ELS Pro a été conçu pour enfoncer des pointes ou dans du bois.

1. Gâchette de sécurité caoutchoutée
2. Long cordon d'alimentation
3. Interrupteur on/off (marche/arrêt)
4. Cliquet de recharge professionnel à déclenchement instantané
5. Chargeur professionnel tout-métal avec rails de positionnement de clous
6. Système métallique professionnel de sécurité de nez
7. Dispositif protecteur en caoutchouc pour les surfaces douces
8. Long nez saillant pour clou dans les coins resserrés / rainures
9. Plaque de nez unique à déclenchement instantané

Verrouillage de sécurité de la gâchette

Cet outil est doté d'un interrupteur marche/arrêt de sûreté (4) qui l'empêche d'éjecter des clous en bloquant la gâchette (1) lorsqu'il est à la position d'arrêt. Lorsque l'interrupteur est à la position de marche, la gâchette est activée. Assurez-vous toujours que l'interrupteur de sûreté est à la position d'arrêt lorsque vous effectuez des réglages ou que l'outil n'est pas en cours d'utilisation.

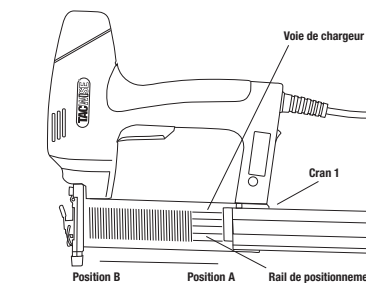
Dispositif de protection de la surface

Cet outil est fourni avec un dispositif de protection (8) qui empêche l'outil de marquer la surface de la pièce travaillée. Pour retirer ce dispositif de protection, tirez simplement dessus et mettez-le de côté s'il n'est pas requis. Cet outil est conçu pour être utilisé avec ou sans le dispositif de protection du nez en caoutchouc, selon l'application. Par exemple, pour les clouages dans les angles étroits utiliser l'outil sans le protecteur. Pour les surfaces fragiles qui risquent d'être endommagées et de rester marquées, utiliser le protecteur de nez en caoutchouc. Pour commander des protecteurs de nez supplémentaires, prière d'indiquer le numéro de commande 1172. L'interrupteur de sûreté doit être à la position d'arrêt avant d'installer ou de retirer le dispositif de protection du bec de l'outil.

Chargement de l'outil en pointes

- Débrancher le cordon d'alimentation.
- Faire coulisser le poussoir vers l'arrière de la position B à la position A en libérant le cliquet.
- Pencher l'outil et placer les clous dans la rainure de manière à ce que la partie supérieure du clou soit au niveau de la partie la plus haute du magasin (avec les pointes tournées dans la direction opposée à celle du corps de l'outil).
- Refermer le chargeur jusqu'à ce que le clic du cliquet se fasse entendre.

REMARQUE: nous recommandons vivement que vous n'utilisiez que des pointes agrées Tacwise car nous avons rencontré de nombreux problèmes de réparation suite à l'emploi d'attaches de qualité inférieure.



Déchargement de l'outil

- Débrancher le cordon d'alimentation
- Faire coulisser le poussoir vers l'arrière de la position B à la position A en libérant le cliquet.
- Inclinez l'outil et retirez les pointes du magasin.
- Refermer le chargeur jusqu'à ce que le clic du cliquet se fasse entendre.

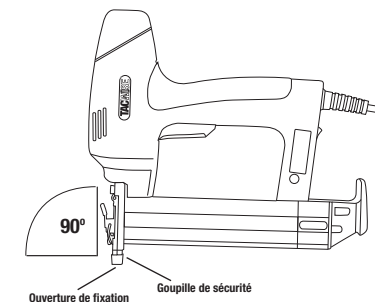
Mode d'emploi

Préparation de l'outil

- Retirez toutes les pointes du magasin (voir déchargement de l'outil).
- Assurez-vous que la broche de sécurité du bec/le dispositif de déclenchement par contact peut bouger librement.
- Rechargez les pointes dans le magasin.
- N'utilisez pas l'outil si la broche de sécurité du bec/le dispositif de déclenchement par contact ne peut pas bouger librement.

Clouage

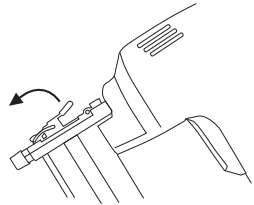
- Actionner le commutateur de marche/arrêt pour mettre l'outil en marche.
- Maintenir l'outil fermement avec l'ouverture de cloutage en butée contre l'objet à clouer – la broche de sécurité dans l'ouverture de cloutage de l'outil doit être appuyée fermement contre le support de cloutage pour que l'outil puisse fonctionner.
- Appuyer sur la gâchette pour actionner l'outil.
- Sur les surfaces dures, exercer une pression avec la main libre sur la partie supérieure de l'outil.
- Sur les surfaces douces, exercer une pression légère afin d'éviter la pénétration profonde du clou, et utiliser le dispositif protecteur (fourmi) pour éviter de marquer la surface.



Retrait de pointes coincées dans le bec

REMARQUE: vous devez retirer toute pointe coincée avant de réutiliser l'outil. Si vous essayez d'éjecter une pointe pendant que l'outil est bloqué, vous pourriez endommager le mécanisme.

- Débrancher le cordon d'alimentation.
- Inclinez l'outil et retirez les pointes inutilisées. Cela devrait dégager la pointe coincée.
- Si cette opération ne réussit pas, desserrer la plaque.



- Suite au retrait d'une pointe coincée, testez toujours soigneusement le fonctionnement de l'outil avant de poursuivre. Si des pointes se coincent fréquemment dans le bec, faites réviser l'outil par un ingénieur Tacwise.

Entretien

Votre outil Tacwise a été conçu de manière à vous offrir une longévité maximum avec un minimum d'entretien. Un fonctionnement satisfaisant continu dépend du bon usage et du nettoyage régulier.

Nettoyage

- Débranchez l'outil avant de nettoyer le boîtier avec un chiffon doux.
- Les événements de refroidissement doivent toujours être dégagés et le boîtier doit être régulièrement nettoyé avec un chiffon.

Lubrification

Cet outil n'exige aucune lubrification. Ne le lubrifiez pas car cela endommagerait les pièces internes.

Conseils et support technique

Que faire en cas de problème avec votre outil électrique Tacwise? Contactez Tacwise par courriel à service@tacwise.com

Pointes coincées dans l'outil

- Utilisez des pointes Tacwise, du type spécifié pour l'outil.
- Choisissez le matériau ou la longueur pointe appropriée.
- Nettoyez/dégagez le bec.
- Nettoyez le magasin.

L'outil n'éjecte pas de pointes

- Chargez des pointes dans le magasin.
- Utilisez des pointes Tacwise, du type spécifié pour l'outil.
- Nettoyez/dégagez le bec.
- Nettoyez le magasin.

L'outil n'éjecte pas la pointe entièrement

- Choisissez le matériau ou la longueur pointe appropriée.
- Le matériau est peut-être trop dur pour enfoncer entièrement les pointes plus longues.

Service de recyclage Tacwise - au service du client et de l'environnement.

Outils désuets

Recyclez vos matériaux désuets au lieu de les jeter. Tous les outils et les emballages devraient être triés, amenés au centre de recyclage local et jetés d'une manière respectueuse de l'environnement. Vous pouvez également contacter service@tacwise.com pour tout renseignement sur les moyens de vous débarrasser de votre outil électrique Tacwise gratuitement et d'une manière respectueuse de l'environnement.

Garantie

Tous les outils électriques Tacwise sont soigneusement vérifiés, testés et soumis à des contrôles d'assurance qualité rigoureux. En conséquence, Tacwise offre la garantie suivante sur ses outils électriques. Cette garantie n'affecte pas votre demande sous garantie basée sur votre contrat de vente avec le détaillant, y compris vos droits statutaires.

Garantie d'un mois

Si vous n'êtes pas entièrement satisfait de la performance de votre outil électrique Tacwise ou s'il s'avère défectueux ou endommagé à l'achat, nous nous engageons à l'échanger ou à vous rembourser dans un délai de 28 jours à compter de la date d'achat. Un justificatif d'achat doit être fourni, avec ticket de caisse original, et l'outil doit être retourné au point de vente, complet, tel qu'il a été acheté. Vos droits statutaires ne sont pas affectés.

Réparation gratuite pendant un an

Si votre outil Tacwise nécessite une révision ou une réparation dans les 12 mois suivant l'achat, cette opération sera prise en charge gratuitement par un ingénieur réparateur Tacwise. Un justificatif d'achat doit être fourni, avec un ticket de caisse original. Cette garantie comprend la main-d'œuvre et les pièces. Cependant, dans certains cas, l'option la plus économique sera un remplacement assuré par Tacwise. Les accessoires batteries, fixations, etc sont exclus.

Garantie standard d'un an

Si votre outil électrique Tacwise s'avère défectueux en raison d'un vice de matériaux ou de fabrication dans les 12 mois suivant la date d'achat, nous garantissons le remplacement gratuit de toutes les pièces défectueuses ou, à notre discrétion, le remplacement gratuit de l'outil. Cette garantie ne couvre pas :

- Les outils ayant reçu des modifications ou ajouts non autorisés.
- Les défauts causés par l'emploi d'accessoires, de composants ou de pièces détachées autres que ceux agréés par Tacwise.
- Les pièces naturellement usées par un usage conforme à notre mode d'emploi.
- Les défauts de l'outil causés par un usage incorrect, des conditions environnementales anormales ou des conditions d'exploitation inappropriées, la non conformité à notre mode d'emploi ou un entretien insuffisant.
- Un justificatif d'achat doit être fourni, avec un ticket de caisse original.

Pour obtenir les coordonnées de votre ingénieur réparateur Tacwise le plus proche, écrivez-nous à service@tacwise.com. Pour enregistrer votre garantie, visitez www.tacwise.com/register.asp

Master Nailer™ 181ELS Pro

Wir gratulieren!

...zum Kauf Ihres Tacwise Elektrowerkzeugs. Ihr Werkzeug wird Ihnen lange zu Ihrer Zufriedenheit dienen, wenn es gemäß unseren Sicherheits- und Bedienungsanweisungen behandelt wird.

Bewahren Sie dieses Handbuch für den zukünftigen Gebrauch auf.

Verpackungsinhalt

Einzelheiten über den Verpackungsinhalt finden Sie auf der Produktverpackung.

Technische Daten

Werkzeug	181ELS Pro		
Modell-Nummer	1178	1176	1177
Montierter Stecker	UK	UK	Euro
Eingangsspannung	230 Volt 50Hz		
Befestigungsteile: Typ	Tacwise 180 Schrāgnägel		
Befestigungsteile: Länge (mm)	15, 20, 25, 30, 32, 35		
Max.			
Schussgeschwindigkeit	4 Nägel pro Sekunde		
Magazinkapazität	100 Nägel		
Min. Nagelabstand	4mm (ohne		
von der Wand:	Gummi-Nasenschutz)		
Gewicht	1.7kgs		

Auspacken

Dieses Produkt wird komplett zusammengebaut geliefert.

- Nehmen Sie Werkzeug und Zubehör vorsichtig aus dem Karton.
- Vergewissern Sie sich, dass alle auf der Verpackung angegebenen Posten vorhanden sind. Versuchen Sie nicht, das Werkzeug zu modifizieren oder Zubehör herzustellen, das nicht für den Einsatz mit diesem Werkzeug empfohlen ist. Derartige Änderungen oder Modifikationen gelten als Missbrauch und können zu einem gefährlichen Zustand führen, der in Körperverletzungen resultieren kann.
- Untersuchen Sie das Werkzeug gründlich, um sicherzustellen, dass während des Transports kein Bruch oder Schaden aufgetreten ist.
- Werfen Sie das Verpackungsmaterial erst dann weg, wenn Sie das Werkzeug gründlich untersucht und erfolgreich benutzt haben.
- Sollten irgendwelche Teile beschädigt sein oder fehlen, wenden Sie sich bitte per Email an service@tacwise.com. Das Werkzeug darf dann erst benutzt werden, wenn die fehlenden bzw. beschädigten Teile ersetzt worden sind. Nicht-Befolgung dieser Anweisung kann zu Körperverletzungen führen. Obwohl wir unser Möglichstes getan haben, um die Richtigkeit der Informationen in diesem Handbuch sicherzustellen, verfolgen wir bei Tacwise eine Strategie kontinuierlicher Verbesserung unserer Produkte, und behalten uns daher das Recht vor, die Produktspezifikation ohne vorherige Ankündigung zu ändern.

WARNUNG! Vor dem Gebrauch müssen alle Anweisungen gründlich gelesen und verstanden werden
Wenn dies nicht geschieht, kann es zu Elektroschock, Brand und/oder schweren Körperverletzungen kommen. Der Begriff "Elektrowerkzeug"

bezieht sich in allen nachfolgenden Warnungen auf Ihr netzbetriebenes (mit Kabel versehenes) Elektrowerkzeug.

CE - Konformitätserklärung



181ELS Pro

Tacwise erklärt hiermit, dass diese Elektrowerkzeuge nach den Befolgungen der gesetzlichen Regelungen und Vorschriften der europäischen Anweisungen entworfen wurden.

Qualitätssicherungsabteilung, Tacwise - UK

Allgemeine Sicherheitsanweisungen

Wichtig. Tacwise rät davon ab, dieses Elektrowerkzeug zu modifizieren oder für andere Anwendungen zu benutzen als die, für die es gedacht ist. Wenn Sie sich betrifft der relevanten Anwendungen nicht sicher sind, zögern Sie bitte nicht, sich mit uns in Verbindung zu setzen; wir werden Sie gerne beraten.

Machen Sie sich mit Ihrem Elektrowerkzeug vertraut

Das Handbuch und die am Elektrowerkzeug befestigten Schilder müssen gelesen und verstanden werden. Machen Sie sich mit den Anwendungen und Beschränkungen sowie auch mit den spezifischen potentiellen Gefahren dieses individuellen Elektrowerkzeugs vertraut. Sollten Sie irgendwelche Fragen haben, die die Sicherheit dieses Elektrowerkzeugs betreffen, wenden Sie sich bitte per Email an: service@tacwise.com.

Arbeitsbereich

- **Ihr Arbeitsbereich sollte stets ordentlich und gut beleuchtet sein.** Eine unordentliche Werkbank und dunkle Bereiche können zu Unfällen beitragen.
- **Halten Sie Kinder und Haustiere aus dem Arbeitsbereich heraus.** Alle Besucher sollten in sicherer Entfernung vom Arbeitsbereich bleiben.
- **Vermeiden Sie gefährliche Umgebungen.** Benutzen Sie Werkzeuge nicht an feuchten oder nassen Orten oder im Regen. Sorgen Sie für ausreichenden Platz um den Arbeitsbereich herum. Benutzen Sie das Werkzeug nicht in potentiell explosiver Umluft, wie z.B. beim Vorhandensein von flammfähigen Flüssigkeiten, Gasen oder Staub; Elektrowerkzeuge erzeugen Funken, die Staub oder Dämpfe entzünden können.
- **Sichern Sie das Werkstück.** Benutzen Sie Klemmvorrichtungen oder einen Schraubstock, um das Werkstück zu halten. Auf diese Weise haben Sie beide Hände für die Benutzung des Elektrowerkzeugs frei.

Ihre persönliche Sicherheit

- **Blieben Sie aufmerksam.** Konzentrieren Sie sich stets auf Ihre Arbeit und lassen Sie Ihren gesunden Menschenverstand walten. Benutzen Sie nie ein Elektrowerkzeug, wenn Sie müde sind oder unter dem Einfluss von Arzneimitteln, Alkohol oder Drogen stehen.
- **Tragen Sie geeignete Kleidung.** Tragen Sie keine losen Kleidungsstücke oder Schmuck, der sich an den beweglichen Teilen verfangen könnte. Außerdem ist es ratsam, rutschfeste Schuhe zu tragen. Halten Sie langes Haar aus dem Weg. Rollen Sie lange Ärmel bis über den Ellbogen auf.
- **Vermeiden Sie versehentliches Starten.** Vergewissern Sie sich, dass sich der Schalter in der gesperrten oder ausgeschalteten Position befindet, bevor Sie den Stecker der Maschine in die Stromversorgung einstecken bzw.
- **Entfernen Sie Justierschlüssel und Mutternschlüssel.** Vergewissern Sie sich, dass alle Justierschlüssel und Mutternschlüssel vom Elektrowerkzeug entfernt worden sind,

- bevor es eingeschaltet wird. Ein Justierschlüssel oder Mutterschlüssel, der noch an einem rotierenden Teil der Maschine steckt, kann Körperverletzungen verursachen.
- **Lehnen Sie sich nicht zu weit hinüber und benutzen Sie das Elektrowerkzeug nicht auf unstablen Oberflächen.** Sorgen Sie dafür, dass Ihre Füße jederzeit guten Halt haben und gutes Gleichgewicht bieten.
 - **Benutzen Sie Sicherheitsequipment.** Je nach den Gegebenheiten müssen Staubmaske, rutschfeste Sicherheitsschuhe, Schutzhelm oder Gehörschutz benutzt werden. Tragen Sie stets eine Schutzbrille mit CE-Zulassung. Normale Brillen haben nur schlagfeste Linsen; sie sind KEINE Schutzbrillen.

Elektrische Sicherheit

- **Trennen Sie den Stromanschluss an das Werkzeug,** wenn es nicht in Gebrauch ist, vor der Wartung oder wenn Sie Zubehör, wie z.B. Nägel usw. auswechseln.
- **Das Elektrogerät darf nicht Regen oder nassen Bedingungen ausgesetzt werden.**
- **Die Stecker von Elektrogeräten müssen dem Stromausgang entsprechen.** Der Stecker darf nie auf irgendeine Weise modifiziert werden. Benutzen Sie für geerdete Elektrowerkzeuge keine Zwischenstecker. Unmodifizierte Stecker und dazu passende Stromausgänge reduzieren die Elektroschockgefahr.
- **Schützen Sie sich gegen Elektroschock.** Wenn Sie mit Elektrowerkzeugen arbeiten, sollten Sie den Kontakt mit allen geerdeten Oberflächen vermeiden, wie z.B. Rohren, Heizungskörpern, Kochringen und Kühlschränken.
- **Missbrauchen Sie das Kabel nicht.** Tragen Sie das Elektrowerkzeug oder das Ladegerät nie am Stromkabel, und reißen Sie den Stecker nie mit dem Kabel aus der Steckdose. Halten Sie das Stromkabel von Hitze, Öl, scharfen Kanten und beweglichen Bauteilen fern. Beschädigte oder verwickelte Kabel können Brände verursachen und die Elektroschockgefahr erhöhen.
- **Arbeiten im Freien.** Benutzen Sie nur ein Verlängerungskabel, das für den Einsatz im Freien geeignet ist. Vergewissern Sie sich, dass Ihr Verlängerungskabel ordnungsgemäß verdrahtet ist und sich in gutem elektrischen Zustand befindet.

Benutzung und Pflege des Elektrowerkzeugs

- **Überlasten Sie das Elektrowerkzeug nicht.** Benutzen Sie das richtige Elektrowerkzeug für Ihre Anwendung. Es wird den Job besser und sicherer bei den Betriebswerten erledigen, für die es gedacht ist.
- **Benutzen Sie das Elektrowerkzeug nicht, wenn es nicht am Schalter ein- und ausgestellt werden kann.** Ein Elektrowerkzeug, dass nicht über den Schalter gesteuert werden kann, ist gefährlich und muss repariert werden.
- **Trennen Sie das Werkzeug von der Stromversorgung, bevor Sie Justierungen vornehmen, Zubehör auswechseln oder das Elektrowerkzeug zur Aufbewahrung lagern.** Solche vorbeugenden Sicherheitsmassnahmen reduzieren das Risiko, dass das Elektrowerkzeug versehentlich gestartet wird.
- **Ändern oder missbrauchen Sie das Elektrowerkzeug nicht.** Der Einsatz des Elektrowerkzeugs für Arbeiten, für die es nicht gedacht ist, kann zu Gefahrensituationen führen.
- **Das Werkzeug darf NICHT betätigt werden, wenn die Nägel verklemt sind.** Dies kann zu Beschädigungen der Einschlagplatte führen und zu Unfällen beitragen.
- **Lassen Sie die Finger vom Auslöser,** bis Sie bereit sind, die Nägel einzuschleßen.
- **NICHT auf harten Oberflächen benutzen,** wie z.B. Steinen, Beton, Mauerwerk, Backsteinen oder Stahl. Dies könnte zu Körperverletzungen oder zur Beschädigung des Elektrowerkzeugs führen.

- **Fixieren Sie das Werkstück.** Benutzen Sie Klemmvorrichtungen oder andere praktikable Methoden, um das Werkstück an einer stabilen Plattform zu sichern und zu stützen. Wenn man das Werkstück mit der Hand oder gegen den Körper hält, ist dies nicht stabil, und dies kann dazu führen, dass man die Kontrolle verliert.
- **Lagerung von Elektrowerkzeugen.** Wenn Elektrowerkzeuge nicht im Gebrauch sind, sollten sie in einem trockenen, abgeschlossenen Schrank und für Kinder und andere nicht geschulte Personen unzugänglich aufbewahrt werden.
- **Untersuchung auf beschädigte Teile.** Kontrollieren Sie auf Fehlausrichtung und Klemmen der beweglichen Teile, Bruch von Teilen und alle anderen Zustände, die sich auf den Betrieb des Elektrowerkzeugs auswirken könnten. Wenn es beschädigt ist, darf es ab sofort nicht mehr benutzt werden, und muss repariert werden, bevor es wieder in Gebrauch genommen wird. Schlecht gewartete Elektrowerkzeuge können Unfälle verursachen.
- **Das Elektrowerkzeug sollte sorgfältig gewartet werden.** Für optimale und sichere Leistung sollten Elektrowerkzeuge scharf und sauber gehalten werden. Alle Kabel müssen regelmäßig kontrolliert und im Falle von Beschädigungen ersetzt werden.
- **Empfohlenes Zubehör.** Benutzen Sie nur Zubehör, das vom Hersteller Ihres Modells empfohlen wird. Zubehör, das für das Elektrowerkzeug geeignet ist, kann bei Benutzung mit einem anderen Werkzeug eine Verletzungsgefahr verursachen.
- **Halten Sie das Elektrowerkzeug und seinen Griff trocken, sauber und frei von Öl und Fett.** Benutzen Sie für die Reinigung stets ein sauberes Tuch. Benutzen Sie nie Bremsflüssigkeit, Benzin, auf Mineralöl basierende Produkte oder irgendwelche starken Lösungsmittel, um Ihr Elektrowerkzeug zu reinigen. Befolgung dieser Regel reduziert die Gefahr, dass Sie die Kontrolle über das Werkzeug verlieren oder dass das Gehäuse des Elektrowerkzeugs beeinträchtigt wird.
- **Nehmen Sie sich vor versteckten Gefahren in Acht.** Vergewissern Sie sich stets, dass keine Gefahr besteht, dass Sie verdeckte Stromkabel, Wasser- oder Gasleitungen treffen.
- **Benutzen Sie Klemmvorrichtungen** oder eine andere praktikable Methode, um das Werkstück an einer stabilen Plattform zu sichern und zu stützen. Wenn man das Werkstück mit der Hand oder gegen den Körper hält, ist es nicht stabil, und dies kann dazu führen, dass man es nicht mehr unter Kontrolle hat.

Spezifische Sicherheitsanweisungen

- **Nur die Nägel benutzen, die im Handbuch vorgegeben sind.** Der Gebrauch von Zubehör, das nicht für dieses Werkzeug gedacht ist, kann zu Körperverletzungen und/oder Beschädigung des Elektrowerkzeugs führen.
- **Während der Benutzung keine Teile des Magazins oder der Nase des Elektrowerkzeugs berühren.** Fassen Sie das Werkzeug nur am Griff oder am Gehäuse an.
- **Aktivieren Sie das Elektrowerkzeug nur, wenn es mit dem Werkstück in Kontakt ist.** Wenn Sie den Sicherheitssperrstift an der Nase/Kontaktauslösung mit den Fingern oder durch falsche Benutzung eindrücken, kann dies zu schweren Verletzungen führen.
- **Befestigung dünner Teile.** Das potentielle Penetrieren dünner Teile erfordert besondere Vorsicht, da eventuell jemand oder etwas hinter dem Werkstück oder in der unmittelbaren Umgebung verletzt bzw. beschädigt werden könnte.
- **Benutzen Sie das Werkzeug nie als Hammer.** Der plötzliche Stoß kann die Innenteile des Elektrowerkzeugs verschieben, was zur Ausgabe eines Befestigungsteils und somit zu Verletzungen führen kann.
- **Leeren Sie stets das Magazin,** wenn Sie mit der Befestigungsarbeit fertig sind, und trennen Sie das Werkzeug von der Stromversorgung.
- **Es dürfen nie Teile des Befestigungsteil-Einschießwerkzeugs**

demoniert oder blockiert werden.

- **Vor jedem Betrieb.** Kontrollieren Sie, dass der Sicherheits- und Auslösemechanismus ordnungsgemäß funktioniert, und dass alle Muttern und Schrauben fest angezogen sind.
- **Richten Sie Elektrowerkzeuge nie auf sich selbst oder eine andere Person.** Halten Sie das Werkzeug bei der Arbeit so, dass im Falle eines Rückstoßes keine Kopf- oder Körperverletzungen verursacht werden können.
- **Betätigen Sie das Elektrowerkzeug nie auf freien Raum oder in die Luft gerichtet.** Befestigungsteile können dünne Werkstücke penetrieren oder von Ecken und Kanten des Werkstücks abrutschen, so dass eventuell Personen in Gefahr gebracht werden können.
- **Setzen Sie Befestigungsteile nie übereinander ein.**

Benutzung von Verlängerungskabel

Ein Verlängerungskabel sollte nur dann benutzt werden, wenn es unbedingt erforderlich ist. Wenn es unbedingt nötig ist, benutzen Sie ein zugelassenes Verlängerungskabel, das für die Eingangsleistung Ihres Ladegeräts geeignet ist (siehe Technische Daten). Die Mindestleitergröße ist 1 mm², die maximale Länge 30 Meter.

Service

Ein Service erfordert äußerste Vorsicht und Fachkenntnis und sollte nur von einem qualifizierten Tacwise Service-Techniker ausgeführt werden. Von unqualifizierten Personen ausgeführte Service- oder Wartungsarbeiten können zu Verletzungsgefahren führen.

Modell- und Serien-Nummern

Die Modell-Nummer dieses Werkzeugs finden Sie auf einem Schild am Werkzeugmagazinkanal, und die Seriennummer findet sich am Werkzeugkörper. Notieren Sie die Modell-Nummer und die Serien-Nummer bitte in den unten vorgesehenen Feldern. Geben Sie diese Informationen bitte stets an, wenn Sie mit uns in Verbindung treten:

MODELL-NUMMER

SERIEN-NUMMER

Features (Fig. A)

Ihr 181ELS Pro Nagelgerät ist dafür ausgelegt, Befestigungsteile in hölzerne Werkstücke zu schießen.

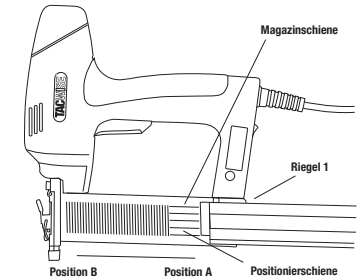
1. Gummierter Sicherheitsauslöser
2. Langes Stromkabel
3. Ein-/Aus-Sicherheitsschalter
4. Profi-Schnelllöse-Nachfüllriegel
5. Ganz aus Metall hergestelltes Profi-Magazin mit Nagelpositionierschienen
6. Profi-Nasensicherheitssystem aus Metall
7. Gummischutz für weiche Oberflächen
8. Lange, hervorstehende Nase für das Nageln in schwer zugänglichen Ecken/Rillen
9. Einmalige Schnelllöse-Nasenplatte

Ein-/Aus-Sicherheitsschalter

Dieses Werkzeug ist mit einem Ein-/Aus-Sicherheitsschalter (4) ausgestattet, der verhindert, dass Nägel geschossen werden, indem er den Auslöser (1) sperrt, wenn der Schalter auf "Aus" gestellt ist. Wenn der Schalter auf "Ein" gestellt ist, ist der Auslöser aktiviert. Vergewissern Sie sich stets, dass der Ein-/Aus-Sicherheitsschalter auf "Aus" gestellt ist, bevor Sie Justierungen vornehmen oder wenn das Werkzeug im Augenblick nicht benutzt wird.

Laden des Werkzeugs mit Nägel

- Den Netzstecker herausziehen.
 - Durch Freigabe der Verriegelung den Drücker aus Positon B nach hinten auf Position A schieben.
 - Das Werkzeug schräg halten und die Nägel so im Kanal positionieren, dass die oberen Enden der Nägel/die Oberseite der im obersten Teil des Magazins liegen (und die Arme vom Werkzeugkörper weg weisen).
 - Das Magazin zudrücken, bis die Verriegelung klickt.
- HINWEIS:** Wir raten Ihnen sehr dazu, nur zugelassene / echte Tacwise Nägel zu benutzen, da wir viele Wartungsprobleme im Zusammenhang mit dem Gebrauch minderwertiger Befestigungsteile erlebt haben.



Leeren des Werkzeugs

- Den Netzstecker herausziehen.
- Durch Freigabe der Verriegelung den Drücker aus Positon B nach hinten auf Position A schieben.
- Halten Sie das Werkzeug schräg und nehmen Sie alle Nägel aus dem Kanal.
- Das Magazin zudrücken, bis die Verriegelung klickt.

Markierungsverhindernder Nasen-/Spitzenschutz

Dieses Werkzeug wird mit einem abnehmbaren Nasenschutz aus Gummi (8) geliefert, der verhindert, dass das Werkzeug auf der Oberfläche des Werkstücks Markierungen hinterläßt. Um den Nasenschutz abzunehmen, zieht man ihn, wenn er nicht gebraucht wird, einfach ab und bewahrt ihn auf. Dieses Werkzeug kann je nach Anwendung sowohl mit als auch ohne Gummi-Nasenschutz benutzt werden. Bei Befestigungsarbeiten in schwer zugänglichen Ecken, zum Beispiel, sollte das Werkzeug ohne den Nasenschutz benutzt werden; bei weichen Oberflächen, bei denen Beschädigungen auftreten könnten und sichtbar bleiben würden, sollten man den Gummi-Nasenschutz jedoch aufsetzen. Wenn Sie weitere Nasenschutzteile bestellen möchten, geben Sie bitte die Bestellnummer 1172 an. Vergewissern Sie sich stets, dass der Ein-/Aus-Sicherheitsschalter auf "Aus" gestellt ist, bevor Sie den Nasenschutz anbringen oder abnehmen.

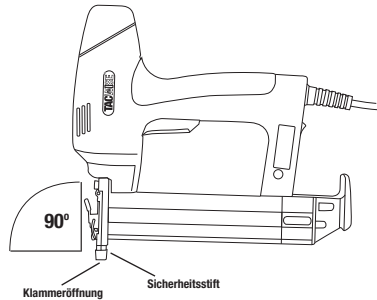
Anweisungen für den Gebrauch

Vorbereitung des Werkzeugs

- Nehmen Sie alle Nägel aus dem Magazin (Anweisungendafür finden Sie unter "Leeren des Werkzeugs")
- Kontrollieren Sie, dass sich der Nasen-Sicherheitskontaktauslöser frei bewegen lässt.
- Laden Sie die Nägel wieder in das Magazin.
- Benutzen Sie das Werkzeug nicht, wenn sich der Nasen-Sicherheitskontaktauslöser nicht frei bewegen lässt.

Nageln

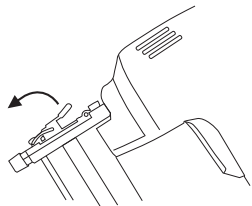
- Das Werkzeug am Ein-/Ausschalter einschalten.
- Das Werkzeug mit der Nagelöffnung fest gegen das Werkstück halten – der Sicherheitsstift in der Öffnung des Werkzeugs muss fest gegen das Werkstück gedrückt sein, da das Werkzeug sonst nicht funktioniert.
- Auslöser drücken, um den Nagel zu schießen.
- Bei harten Oberflächen die Oberseite des Werkzeugs mit der freien Hand herunterdrücken.
- Bei weichen Oberflächen nur leichten Druck aufbringen, um tiefe Penetration des Nagels zu vermeiden, und das Nasenstück (mitgeliefert) verwenden, um Markierung der Oberfläche zu verhindern.



Entfernen verklemmter Nägel aus dem Nasenteil

HINWEIS: Verklemmte Nägel müssen entfernt werden, bevor das Werkzeug weiter benutzt wird. Wenn Sie versuchen, Nägel einzuschießen, während das Werkzeug verklemmt ist, können Sie dadurch den Mechanismus beschädigen.

- Den Netzstecker herausziehen.
- Halten Sie das Werkzeug schräg und nehmen Sie alle unbenutzten Nägel im Kanal heraus – dadurch müsste sich das verklemmte Befestigungsteil lösen.
- Wenn das nicht hilft, dann lösen Sie bitte die Nasenplatte.



- Kontrollieren Sie nach der Entfernung des verklemmten Nagels sorgfältig die Funktion des Werkzeugs, bevor Sie mit der Arbeit fortfahren. Wenn sich oft Nägel im Nasenteil verklemmen, lassen Sie das Werkzeug von einem Tacwise Techniker warten.

Wartung

Ihr Tacwise Elektrowerkzeug ist dafür ausgelegt, lange Zeit bei minimaler Wartung zu funktionieren. Der anhaltende zufriedenstellende Betrieb hängt von der richtigen Pflege und regelmäßigen Reinigung des Werkzeugs ab.

Reinigung

- Ziehen Sie den Stecker des Ladegeräts heraus, bevor Sie das Gehäuse mit einem weichen Tuch reinigen.
- Halten Sie die Belüftungsschlitze frei und reinigen Sie das Gehäuse regelmäßig mit einem weichen Tuch.

Schmierung

Dieses Werkzeug braucht nicht geschmiert zu werden. Schmiere Sie das Werkzeug nicht, da dies die Innenteile beschädigen würde.

Produktberatung & technische Unterstützung

Was ist zu tun, wenn Sie ein Problem mit Ihrem Tacwise Elektrowerkzeug haben? Senden Sie ein Email an service@tacwise.com.

Nägel klemmen im Werkzeug

- Benutzen Sie echte Tacwise Befestigungselemente der Art, die für das Werkzeug vorgegeben ist.
- Wählen Sie geeignetes Material und geeignete Nagellängen.
- Reinigen Sie das Nasenteil und nehmen Sie verklemmte Befestigungsteile heraus.
- Reinigen Sie das Magazin.

Das Werkzeug schießt keine Nägel

- Laden Sie Befestigungsteile in das Magazin.
- Benutzen Sie echte Tacwise Befestigungselemente der Art, die für das Werkzeug vorgegeben ist.
- Reinigen Sie das Nasenteil und nehmen Sie verklemmte Befestigungsteile heraus.
- Reinigen Sie das Magazin.

Das Werkzeug schießt die Nägel nicht voll ein

- Wählen Sie geeignetes Material und geeignete Nagellängen.
- Das Material könnte zu hart dafür sein, längere Nägel einzuschießen.

Tacwise Recycling-Service - dient unseren Kunden und der Umwelt.

Nicht mehr benötigte Werkzeuge

Sie können unbenötigte Materialien recyceln, statt sie als Abfall zu entsorgen. Alle Werkzeuge und Verpackungen sollten sortiert, zum örtlichen Recycling-Zentrum gebracht und auf umweltfreundliche Weise entsorgt werden. Andernfalls senden Sie ein Email an service@tacwise.com um Einzelheiten darüber zu erfahren, wie Sie Ihr Tacwise Elektrowerkzeug kostenlos auf umweltfreundliche Weise entsorgen können.

Garantie

Alle Tacwise Elektrowerkzeuge werden sorgfältig kontrolliert, getestet und den rigorosen Kontrollen der Qualitätssicherung unterworfen. Deshalb bietet Tacwise die folgende Garantie für Tacwise Elektrowerkzeuge. Ihr Garantieanspruch basiert auf Ihrem Kaufvertrag mit dem Einzelhändler, einschließlich Ihrer gesetzlich verbrieften Rechte, die durch diese Garantie nicht beeinträchtigt werden.

Einen Monat Garantie

Sollten Sie mit der Leistung Ihres Tacwise Elektrowerkzeugs nicht völlig zufrieden sein, oder wenn es beim Kauf fehlerhaft oder beschädigt ist, werden wir das Produkt tauschen oder Ihnen innerhalb von 28 Tagen vom Kaufdatum eine volle Rückerstattung zukommen lassen. Dafür ist ein Kaufnachweis mit einer Originalquittung erforderlich, und das Werkzeug muss komplett, wie es beim Händler gekauft wurde, zurückgegeben werden. Dies hat keine Auswirkung auf Ihre gesetzlich verbrieften Rechte.

Ein Jahr kostenloser Service

Sollte Ihr Tacwise Elektrowerkzeug innerhalb von einem Jahr vom Einkaufsdatum Wartung oder Service erfordern, werden diese kostenlos von einem Tacwise Service-Techniker ausgeführt. Dabei müssen Einkaufsnachweis und Originalquittung vorgelegt werden. Dies beinhaltet die Lohnkosten und Ersatzteile für Ihr Werkzeug. In einigen Fällen ist jedoch die wirtschaftlichste Option eine Ersatz-Service-Austauscheinheit, die von Tacwise geliefert wird. Zubehör, wie Akkus, Befestigungsteile usw. sind hiervon ausgeschlossen.

Ein Jahr Standard-Garantie

Sollte Ihr Tacwise Elektrowerkzeug innerhalb von 12 Monaten vom Einkaufsdatum auf Grund fehlerhafter Materialien oder Verarbeitung defekt werden, garantieren wir, dass wir alle defekten Teile oder, nach unserem Ermessen, das Werkzeug kostenlos ersetzen. Diese Garantie gilt nicht für die folgenden:

- Werkzeuge, an denen unbefugte Änderungen oder Hinzufügungen vorgenommen worden sind.
- Defekte, die durch den von anderen als Tacwise zugelassenen/echten Zubehörteilen, Bauteilen oder Ersatzteilen verursacht worden sind.
- Bauteile, die normalem Verschleiß unterliegen, der durch den Gebrauch gemäß unseren Betriebsanweisungen verursacht worden ist.
- Detekte, des Werkzeugs, die durch Missbrauch, anormale Umgebungsbedingungen oder ungeeignete Betriebsbedingungen und Nicht-Befolgung unserer Betriebsanweisungen oder unzureichende Instandhaltung oder Wartung verursacht worden sind.
- Es muss ein Kaufnachweis mit Originalquittung vorgelegt werden.

Angaben über Tacwise Service-Techniker in Ihrer Nähe können Sie per Email bei service@tacwise.com erfragen; um Ihre Garantie zu registrieren, besuchen Sie bitte www.tacwise.com/register.asp

Master Nailer™ 181ELS Pro

¡Enhorabuena!

Enhorabuena por la compra de la herramienta mecánica Tacwise. Su herramienta funcionará a su plena satisfacción durante mucho tiempo si la maneja de acuerdo con nuestras instrucciones de seguridad y operativas.

Guarde este manual en un lugar seguro para futura referencia

Contenido del envase

Consulte el envase del producto si necesita detalles del contenido del paquete.

Datos técnicos Desembalado

Herramienta	181ELS Pro		
Número de modelo	1178	1176	1177
Enchufe acoplado	UK	UK	Euro
Voltaje de entrada	230 voltios 50 Hz		
Tipo de fijación	Clavos Tacwise 180		
Longitud de la fijación (mm)	15, 20, 25, 30, 32, 35		
Velocidad de disparo	4 clavos por segundo		
Capacidad máxima del cargador:	100 Clavos		
Distancia de disparo mínima desde la pared:	4mm (sin el tope de goma)		
Peso	1.7kgs		

Este producto ha sido suministrado completamente montado.

- Saque la herramienta y los accesorios de la caja con cuidado.
- Asegúrese de que todos los elementos de la lista de envase estén incluidos. No intente modificar esta herramienta ni crear accesorios no recomendados para su uso con esta herramienta. Tales alteraciones o modificaciones constituyen uso indebido y podrían producir una condición peligrosa que produjera heridas personales.
- Inspeccione la herramienta con cuidado para asegurarse que no se hayan producido roturas o daños durante el transporte.
- No deseche el material del envase hasta que haya inspeccionado la herramienta cuidadosamente y la haya operado satisfactoriamente.
- Si hay alguna parte dañada o perdida, envíe un correo electrónico a service@tacwise.com pidiendo ayuda. No opere la herramienta hasta que se hayan reemplazado las piezas perdidas o dañadas. Si no se siguen estas instrucciones, se podrían producir heridas personales. Aunque se han realizado todos los esfuerzos para garantizar la precisión de la información contenida en este manual, Tacwise sigue una política de mejoras continuas de sus productos y, por lo tanto, se reserva el derecho de cambiar la especificación del producto sin previo aviso.

¡PRECAUCIÓN! Antes de usar, léanse las instrucciones con cuidado hasta que se hayan comprendido bien.

Si no se siguen estas instrucciones se podrían producir descargas eléctricas, incendios y/o graves heridas personales. El término "herramienta mecánica" que aparece en todos los avisos enumerados en el manual se refiere a la herramienta mecánica alimentada por la red (con cable) o alimentada por batería (inalábrica).

CE - Declaración de conformidad 181ELS Pro

Tacwise declara que estas herramientas eléctricas han sido diseñadas en conformidad con las reglas y normas de las directivas europeas.

Departamento de la calidad, Tacwise - Reino Unido

Instrucciones generales de seguridad.

Importante. Tacwise recomienda que la herramienta mecánica no debería modificarse ni usarse para ninguna otra aplicación que no sea aquélla para la que fue diseñada. Si no está seguro de sus aplicaciones relativas, no dude en ponerse en contacto con nosotros, que le asesoraremos oportunamente.

Conozca su herramienta mecánica

Lea y comprenda el manual y las etiquetas fijadas a la herramienta mecánica. Familiarícese con su aplicación y limitaciones, así como los potenciales peligros específicos de esta herramienta mecánica. Si tiene alguna consulta con relación a temas de seguridad de esta herramienta mecánica, envíe un correo electrónico a: service@tacwise.com.

Área de trabajo

- Mantenga su área de trabajo limpia y bien iluminada. Los bancos de trabajo desordenados y las zonas oscuras suelen provocar accidentes.
- Mantenga a niños y animales lejos del área de trabajo. Todos los visitantes deberían mantenerse a una distancia segura del área de trabajo.
- Evite los entornos peligrosos. No utilice herramientas mecánicas en lugares húmedos, ni las exponga a la lluvia. Cuente siempre con un espacio adecuado alrededor del área de trabajo. No utilice la herramienta en entornos con una atmósfera potencialmente explosiva, por ejemplo en presencia de líquidos, gases o polvos inflamables; las herramientas mecánicas producen chispas que podrían encender el polvo o los humos.
- Trabajo seguro. Utilice abrazaderas o un tornillo de banco para sujetar el trabajo. Esto le dejará libres las dos manos para operar la herramienta mecánica.

Seguridad personal

- **Manténgase alerta.** Ponga atención siempre en lo que está haciendo y utilice el sentido común. No opere la herramienta mecánica cuando esté cansado o bajo la influencia de medicamentos, alcohol o drogas.
- **Lleve siempre ropa de protección adecuada.** Nunca lleve puestas ropas flojas ni joyas que puedan engancharse en las piezas móviles. Se recomienda llevar botas antideslizantes. Recoja el cabello largo. Enrolle las mangas por encima del codo.
- **Evite un arranque accidental.** Asegúrese de que el interruptor esté en la posición de bloqueo o de apagado antes de enchufar la máquina a la red o de insertar.
- **Despeje las llaves de ajuste y las llaves de tuercas.** Asegúrese de que todas las llaves de ajuste y de tuercas estén lejos de la herramienta mecánica antes de encenderla. Una llave de ajuste o de tuercas acoplada a una pieza giratoria de la herramienta mecánica podría producir heridas personales.
- **No utilice la herramienta si tiene que estirarse o si está sobre una superficie no estable.** Mantenga los pies firmemente en el suelo y mantenga el equilibrio en todo momento.
- **Utilice equipo de seguridad.** Se deberá utilizar mascarilla contra el polvo, botas de seguridad antideslizantes, casco o protección para los oídos según las condiciones pertinentes. Lleve puestas

gafas de seguridad aprobadas por la CE en todo momento. Las gafas normales sólo tienen lentes resistentes a los impactos; NO son gafas de seguridad.

Seguridad eléctrica

- **Desconecte la corriente a la herramienta** cuando no esté en uso, antes de su mantenimiento o al cambiar los accesorios, como por ejemplo, los clavos, etc.
- **Nunca exponga las herramientas mecánicas a la lluvia o a condiciones húmedas.**
- **Los enchufes de las herramientas mecánicas deberán ser apropiados a la red.** Nunca modifique los enchufes en modo alguno. Nunca utilice un enchufe adaptador con herramientas mecánicas con conexión a tierra. Los enchufes sin modificación y las conexiones a red apropiadas reducirán el riesgo de descarga eléctrica.
- **Protéjase de descargas eléctricas.** Cuando trabaje con herramientas mecánicas, evite el contacto con cualquier superficie conectada a tierra, tales como tuberías, radiadores, quemadores o refrigeradores.
- **No maltrate el cable de la herramienta mecánica.** Nunca coja la herramienta mecánica ni por el cable, ni tire de él para desenchufarlo de la red. Mantenga el cable lejos de fuentes de calor, aceite, bordes cortantes o piezas móviles. Los cables dañados o enredados pueden producir un incendio o incrementar el riesgo de descarga eléctrica.
- **Trabajo en exteriores.** Utilice sólo un cable de extensión apropiado para uso exterior y asegúrese de que esté adecuadamente conectado y en buen estado eléctrico.

Uso y cuidados de la herramienta mecánica

- **Nunca fuerce la herramienta mecánica.** Utilice la herramienta mecánica apropiada para su aplicación. Realizará la tarea mejor y con mayor seguridad al ritmo para que el que ha sido diseñada.
- **Nunca utilice la herramienta mecánica si el interruptor no la enciende y la apaga.** Una herramienta mecánica que no puede controlarse con el interruptor es peligrosa y deberá repararse inmediatamente.
- **Desconecte la herramienta mecánica de la red antes de realizar ajustes, cambiar accesorios o almacenarla.** Tales medidas preventivas de seguridad reducen el riesgo de que la herramienta se arranque accidentalmente.
- **No altere ni utilice la herramienta mecánica incorrectamente.** El uso de la herramienta mecánica para una operación diferente de la diseñada podría producir una situación peligrosa.
- **NO utilice la herramienta si los clavos están atascados.** Esto causará daños a la cuchilla de laundad y podría provocar accidentes.
- **Mantenga los dedos fuera del disparador** hasta que esté listo para disparar el clavo.
- **NO utilice la herramienta en superficies duras** como rocas, cemento, mamposterías, ladrillos o acero. Se podrían causar daños a la herramienta o producir heridas personales.
- **Trabajo seguro.** Utilice abrazaderas u otros métodos prácticos de asegurar y apoyar la pieza de trabajo a una plataforma estable. El sujetar la pieza con una mano o contra el cuerpo no es estable y puede producir pérdida del control.
- **Herramientas mecánicas almacenadas.** Cuando no se utilicen, todas las herramientas mecánicas deberían almacenarse en un armario seco, cerrado y fuera del alcance de los niños y de otras personas no capacitadas.
- **Compruebe que no haya piezas dañadas.** Compruebe que no haya desalineación ni piezas móviles pegadas, rotura de piezas ni ninguna otra condición que pudiera afectar al funcionamiento de la herramienta mecánica. Si alguna pieza está dañada, deje de

utilizar la herramienta inmediatamente y asegúrese de que esté reparada antes de volver a utilizarla. Las herramientas mecánicas mal mantenidas pueden producir accidentes.

- **Mantenga las herramientas mecánicas con cuidado.** Mantenga las herramientas mecánicas bien afiladas y limpias para que puedan prestar su mejor y más seguro rendimiento. Todos los cables deberán comprobarse a intervalos regulares y recambiarse si estuvieran dañados.
- **Accesorios recomendados.** Utilice solamente accesorios recomendados por el fabricante para su modelo. Los accesorios que pueden ser apropiados para una herramienta podrían crear riesgo de heridas cuando se utilicen en otra.
- **Mantenga la herramienta mecánica y su mango secos, limpios y libres de aceite y grasa.** Utilice siempre un trapo limpio para la limpieza de la herramienta. Nunca utilice fluidos de frenos, gasolina, productos de base de petróleo ni ningún otro solvente fuerte para limpiar su herramienta mecánica. El cumplimiento de esta norma reducirá el riesgo de la pérdida de control y el deterioro del alojamiento de la herramienta mecánica.
- **Tenga cuidado con los peligros ocultos.** Asegúrese siempre de que no haya peligro de taladrar cables de transmisión escondidos ni tuberías de agua o gas.
- **Utilice abrazaderas** u otros métodos prácticos de asegurar y apoyar la pieza de trabajo a una plataforma estable. El sujetar la pieza con una mano o contra el cuerpo no es estable y podría producir pérdida del control.

Instrucciones específicas de seguridad

- **Utilice exclusivamente los clavos especificados en el manual.** El uso de accesorios que no estén diseñados para esta herramienta podría producir heridas personales y/o causar daños a la herramienta mecánica.
- **Nunca toque ninguna pieza del depósito de la herramienta mecánica ni el resalto durante la operación.** Sujete la herramienta mecánica solamente por el mango o el alojamiento.
- **No active la herramienta mecánica salvo que esté en contacto con la pieza de trabajo.** Se podrían producir serias heridas personales si se pulsa el pasador de bloqueo de seguridad en el disyuntor del resalto / contacto con los dedos o por operación incorrecta.
- **Fijación de piezas finas.** Se deberá poner una atención especial en la posible penetración de piezas finas, ya que esto podría causar posibles daños a cualquier persona u objeto que esté detrás de la pieza de trabajo o en el área inmediata.
- **Nunca utilice la herramienta como martillo.** El impacto repentino podría sacudir los componentes internos de la herramienta mecánica, produciendo el desprendimiento del fijador y posible heridas.
- **Descargue siempre el depósito de la herramienta** una vez finalizada la operación y desconéctela de la red.
- **No desmonte ni bloquee ninguna pieza de las herramientas mecánicas de fijación.**
- **Antes de cada operación.** Compruebe que el mecanismo de seguridad y disparo funcione correctamente y que todas las tuercas y pernos estén bien apretados.
- **Nunca apunte una herramienta mecánica a sí mismo ni a otra persona.** Mientras trabaje, sujete la herramienta de tal modo que no pueda causarle heridas en la cabeza o en el cuerpo en caso de un posible retroceso.
- **Nunca haga funcionar la herramienta mecánica en vacío o en el aire.** Los fijadores pueden penetrar piezas de trabajo finas o romper esquinas o bordes de la pieza de trabajo, que podrían poner en peligro a las personas.
- **Nunca trate de colocar un fijador encima de otro.**

Uso de un cable de extensión

No se debería utilizar un cable de extensión salvo que sea absolutamente necesario. Si fuera esencial, utilícese un cable de extensión aprobado y apropiado para la potencia de su cargador (véanse los datos técnicos). El tamaño mínimo del conductor deberá ser de 1 mm² y la longitud máxima de 30 metros.

Mantenimiento

El mantenimiento requiere un cuidado extremo y un buen conocimiento y sólo debería ser realizado por un ingeniero de mantenimiento cualificado de Tacwise. El servicio o mantenimiento realizado por una persona no cualificada podría producir riesgo de heridas personales.

Nº de modelo y de serie

El número de modelo de esta herramienta lo encontrará en una etiqueta situada en el canal del cargador, y el número de serie en el cuerpo de la herramienta. Apunte el número de modelo y el número de serie en el espacio suministrado a continuación. Proporciónenos siempre esta información cuando se ponga en contacto con nosotros:

NÚMERO DE MODELO

NÚMERO DE SERIE

Características (Fig. A)

Su 181ELS Pro Nailer ha sido diseñada para colocar fijadores en piezas de madera.

1. Gatillo de seguridad vulcanizado
2. Cable de potencia largo
3. Conmutador de encendido/apagado
4. Mecanismo de recarga profesional de liberación rápida
5. Cargador profesional de metal con guías de situación de clavos
6. Sistema metálico profesional de seguridad de placa frontal
7. Protector de goma para superficies suaves
8. Morro largo para clavar en rincones/ranuras difíciles
9. Exclusiva placa frontal de liberación rápida

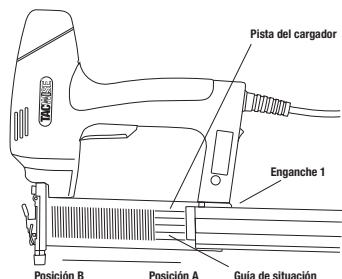
Conmutador de bloqueo de seguridad del disparador de encendido/apagado

Esta herramienta está equipada con un conmutador de seguridad de encendido / apagado (4), que impide que la herramienta dispare un clavo, bloqueando el gatillo (1), cuando el conmutador esté colocado en la posición de apagado. Cuando se active el conmutador, el gatillo volverá a activarse también. Asegúrese siempre de que el conmutador de seguridad de encendido / apagado esté siempre en la posición de apagado antes de realizar ajustes en la herramienta o cuando ésta no se vaya a utilizar inmediatamente.

Carga de la herramienta con clavos

- Desenchufar de la corriente.
- Deslizar el impulsor hacia atrás de la posición B a la posición A soltando el enganche.
- Incline la herramienta y coloque las clavos en el canal, de manera que la parte superior del clavo esté en la parte superior del cargador (con las puntas mirando en la dirección contraria al cuerpo de la herramienta).
- Empujar el cargador hasta que el enganche encaje en su posición.

NOTA: Recomendamos encarecidamente que utilice exclusivamente clavos aprobados/genuinos Tacwise, ya que hemos experimentado muchos problemas de servicio tras el uso de fijadores de calidad inferior.



Descarga de la herramienta

- Desenchufar de la corriente.
- Deslizar el impulsor hacia atrás de la posición B a la posición A soltando el enganche.
- Incline la herramienta y quite los clavos que haya en el canal.
- Empujar el cargador hasta que el enganche encaje en su posición.

Protector de resalto/punta para no marcar

Esta herramienta se suministra con un protector desmontable de goma (8), que impide que la herramienta marque la superficie de la pieza de trabajo. Para quitar el protector de resalto sencillamente tire de él y almacénelo siempre que no se requiera. Esta herramienta está diseñada para ser usada con o sin el protector del tope de goma, según la aplicación. Por ejemplo, para clavar en rincones con poco espacio utilice la herramienta sin el tope, y para superficies suaves, que podrían dañarse y dejar marcas visibles, añada el protector de goma del tope. Para pedir protectores adicionales del tope, cite el código de pedido 1172. Asegúrese de que el conmutador de seguridad de encendido / apagado esté en la posición de apagado antes de montar o desmontar el protector del tope.

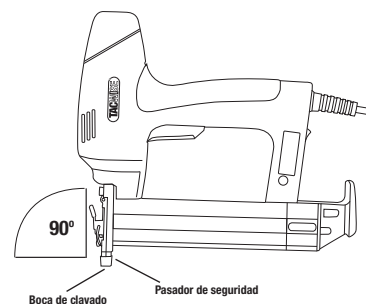
Instrucciones de uso

Preparación de la herramienta

- Quite todos los clavos del depósito (Véase el apartado "Descarga de la herramienta" si se necesitan más instrucciones).
- Compruebe que el disyuntor de seguridad del resalto / contacto puede moverse libremente.
- Vuelva a cargar los clavos en el depósito.
- No utilice la herramienta si el disyuntor de seguridad del resalto / contacto no puede moverse libremente.

Operación de clavado

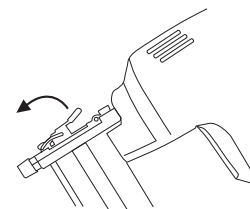
- Encender la herramienta en el conmutador de encendido/apagado.
- Sujetar la herramienta firmemente con la boca de clavos contra la pieza de trabajo – el pasador de seguridad de la boca de la herramienta deberá presionarse firmemente contra la pieza de trabajo o no funcionará.
- Apretar el gatillo para disparar la herramienta.
- En superficies duras, presione hacia abajo sobre la parte superior
- En superficies suaves, aplique una ligera presión para impedir la profunda penetración del clavo y utilice la placa frontal (suministrada) para impedir causar marcas en la superficie.



Cómo quitar un clavo atascado del resalto

NOTA: Deberá quitar todo clavo atascado antes de usar la herramienta de nuevo. Si intenta disparar un clavo mientras la herramienta está atascada, podría dañar el mecanismo.

- Desenchar de la corriente.
- Incline la herramienta y quite los clavos no usados que haya en el canal – esto debería liberar el fijador atascado.
- Si esto no funciona, libre la placa frontal como se indica a continuación.



- Tras la remoción de un clavo atascado, pruebe siempre con cuidado el funcionamiento de la herramienta antes de proseguir adelante con un trabajo. Si los clavos se atascan en el resalto con frecuencia, haga que un ingeniero de Tacwise revise la herramienta.

Mantenimiento

Su herramienta mecánica Tacwise ha sido diseñada para operar un largo período de tiempo con un mínimo de mantenimiento. El funcionamiento satisfactorio continuo depende del cuidado apropiado de la herramienta y de su limpieza regular.

Limpieza

- Desenchufe el cargador antes de limpiar el alojamiento con un trapo suave.
- Mantenga las ranuras de ventilación despejadas y limpie regularmente el alojamiento con un trapo suave.

Lubricación

Esta herramienta no requiere lubricación. Nunca lubrique la herramienta, ya que esto podría dañar las piezas internas.

Asesoría sobre productos y asistencia técnica

¿Qué debe hacer si tiene un problema con su herramienta mecánica Tacwise? Envíe un correo electrónico a service@tacwise.com.

Atasco de clavos en la herramienta

- Utilice siempre fijadores genuinos Tacwise del tipo especificado para la herramienta.
- Elija el material y la longitud del fijador apropiados.
- Limpie / desatasque el resalto.
- Limpie el depósito.

La herramienta no dispara clavos

- Cargue fijadores en el depósito.
- Utilice siempre fijadores genuinos Tacwise del tipo especificado para la herramienta.
- Limpie / desatasque el resalto.
- Limpie el depósito.

La herramienta no dispara clavos con fuerza

- Elija el material y la longitud del fijador apropiados.
- El material podría ser demasiado duro para meter los clavos hasta el fondo.

Servicio de reciclado Tacwise - sirviendo al cliente y al medio ambiente.

Herramientas no deseadas

Recicle los materiales no deseados en vez de tirarlos a la basura. Todas las herramientas y envases deberían clasificarse, llevarse al centro de reciclaje local y eliminarse de un modo ecológicamente seguro. Alternativamente, envíe un correo electrónico a service@tacwise.com si necesita más información sobre cómo deshacerse de su herramienta mecánica Tacwise gratuitamente y de una manera ecológica.

Garantía

Todas las herramientas mecánicas Tacwise se prueban y revisan con todo cuidado, y están sujetas a rigurosos controles de garantía de calidad. Por lo tanto, Tacwise ofrece las siguientes garantías para las herramientas mecánicas Tacwise. Su derecho de reclamación basado en su contrato de venta con el minorista, incluyendo sus derechos legales, no se verán afectados por esta garantía.

Garantía de un mes

Si no está completamente satisfecho con el rendimiento de su herramienta mecánica Tacwise o si está defectuosa o dañada en el momento de la compra, le cambiaremos el producto o le daremos un reembolso en un período de 28 días a partir de la compra. Se deberá presentar prueba de compra por medio de la factura original y la herramienta deberá devolverse completa, según estaba en el momento de la compra, al punto de compra. Esto no afecta a sus derechos legales.

Servicio gratuito por un año

Si su herramienta mecánica Tacwise requiere mantenimiento o servicio en los 12 meses después de la compra, éste será realizado gratuitamente por un ingeniero de reparaciones de Tacwise. Se deberá presentar prueba de compra por medio de la factura original. Esta reparación incluirá la mano de obra y las piezas de repuesto necesarias para la herramienta. Sin embargo, en algunos casos la opción más económica podría ser una unidad de servicio de piezas de repuesto suministrada por Tacwise. Los accesorios, tales como baterías, fijadores, etc., no van incluidos.

Garantía estándar de un año

Si su herramienta mecánica Tacwise desarrolla algún defecto debido a los materiales o a la fabricación en los 12 meses siguientes a la fecha de compra, nosotros garantizamos el recambio gratuito de todas las piezas defectuosas a nuestra discreción, o el recambio gratuito de la herramienta. Esta garantía no cubre:

- Herramientas que hayan sufrido cambios o adiciones no autorizados.
- Defectos causados por el uso de accesorios, componentes o piezas de repuestos que no sean los accesorios o recambios aprobados / genuinos Tacwise.
- Piezas sujetas a desgaste natural causado por el uso de acuerdo con nuestras instrucciones operativas.
- Defectos causados a la herramienta por uso indebido, condiciones medioambientales anormales o condiciones operativas inapropiadas, falta de conformidad con las instrucciones operativas o insuficiente servicio o mantenimiento.
- Se deberá presentar prueba de compra por medio de la factura original. Si necesita los detalles del ingeniero de mantenimiento Tacwise más cercano, mande un correo electrónico a service@tacwise.com; para registrar su garantía, visite el sitio web www.tacwise.com/register.asp

**Master Nailer™
181ELS Pro****Congratulazioni**

Per aver acquistato il vostro elettro utensile Tacwise. Se utilizzato in conformità alle nostre istruzioni di Sicurezza e Operative, il vostro utensile garantirà molti anni di funzionamento soddisfacente.

Conservare questo manuale per riferimento futuro**Contenuto del Pacco**

Consultare la confezione del prodotto per i dettagli relativi al contenuto del pacco.

Dati Tecnici

Utensile	181ELS Pro		
Numero di modello	1178	1176	1177
Spina montata	UK	UK	Euro
Tensione di rete/ingresso	230 volts 50 Hz		
Elementi di Fissaggio: Tipo	Chiodi Tacwise 180		
Elementi di Fissaggio:			
Lunghezza (mm)	15, 20, 25, 30, 32, 35		
Velocità di Tiro	4 chiodi al secondo		
Capacità Caricatore	100 chiodi		
Min. distanza di inchiodatura dal muro:	4mm (senza naso in gomma)		
Peso	1.7kgs		

Disimballaggio

Questo prodotto è stato fornito completamente assemblato.

- Rimuovere con attenzione l'utensile e gli accessori dalla scatola.
- Verificare che la confezione includa tutti gli articoli elencati nella distinta di imballaggio. Non tentare di modificare questo utensile o di utilizzarlo per creare accessori non raccomandati per l'uso. Qualsiasi alterazione o modifica di questo tipo costituisce un abuso e potrebbe risultare in una condizione pericolosa che potrebbe provocare lesioni personali.
- Controllare l'utensile con attenzione per verificare che non abbia subito rotture o danni durante il trasporto.
- Non gettare via il materiale di imballaggio prima di avere controllato con cura l'utensile e di averne accertato il funzionamento soddisfacente.
- Nel caso di pezzi danneggiati o mancanti, si prega di inviare una email a Service@tacwise.com per richiedere assistenza. Non operare l'utensile prima di avere sostituito i pezzi mancanti o danneggiati. L'inadempimento potrebbe provocare lesioni. Tacwise persegue una politica di continuo miglioramento dei suoi prodotti e pertanto, benché ogni sforzo sia stato fatto per garantire l'accuratezza delle informazioni contenute nel presente manuale, si riserva il diritto di modificare le caratteristiche del prodotto senza ulteriore preavviso.

AVVERTIMENTO! Leggere attentamente e capire tutte le istruzioni prima dell'utilizzazione.

L'inadempimento potrebbe provocare scosse elettriche, incendi e/o gravi lesioni personali. Per tutti gli avvertimenti elencati di seguito, il termine "elettro utensile" si riferisce agli elettro utensili alimentati da rete (con cavo).

**Dichiarazione di Conformità CE
181ELS Pro**

Tacwise dichiara che questi utensili elettrici sono stati progettati in conformità dei regolamenti e della norme delle direttive europee.

Reparto di qualità, Tacwise - Regno Unito

Istruzioni di Sicurezza Generale

Importante. Tacwise raccomanda di non modificare e di non utilizzare questo elettro utensile per applicazioni diverse da quelle per cui è inteso. Se non siete sicuri delle relative applicazioni, vi preghiamo di contattarci per ottenere consigli.

Conoscere l'elettro utensile

Leggere e capire il manuale e le etichette apposte sull'elettro utensile. Apprendere le applicazioni e limitazioni come pure i potenziali pericoli associati a questo particolare elettro utensile. Per qualsiasi richiesta di informazioni relativa alla sicurezza dell'elettro utensile, inviare una e-mail a: service@tacwise.com.

Area di Lavoro

- **Tenere l'area di lavoro pulita ed adeguatamente illuminata.** I banchi disordinati e l'oscurità facilitano il verificarsi di incidenti.
- **Tenere i bambini e gli animali domestica distanza.** Tenere tutti i visitatori a una distanza sicura dall'area di lavoro.
- **Evitare gli ambienti pericolosi.** Non utilizzare gli elettro utensili in zone umide o bagnate, e non esporli alla pioggia. Fornire uno spazio adeguato attorno all'area di lavoro. Non utilizzare in ambienti con atmosfera potenzialmente esplosiva, ad esempio in presenza di liquidi infiammabili, gas o polvere. Gli elettro utensili creano scintille che possono innescare la polvere o i fumi.
- **Fissare il pezzo da lavorare.** Usare morsetti o appositi dispositivi di tenuta per fissare il pezzo da lavorare. Questo libera entrambe le mani per azionare l'elettro utensile.

Sicurezza Personale

- **Prestare attenzione.** Fare sempre attenzione a quello che si sta facendo e servirsi del buon senso. Non usare mai un elettro utensile se stanchi, o sotto l'effetto di farmaci, alcool o droghe.
- **Vestirsi in modo adeguato.** Non indossare indumenti ampi o gioielli che potrebbero restare impigliati nelle parti mobili. Si raccomanda di indossare calzature antiscivolo. Legare i capelli lunghi. Arrotolarsi le maniche lunghe sopra il gomito.
- **Evitare gli avviamenti accidentali.** Assicurarsi che l'interruttore di comando sia bloccato o in posizione "SPENTO" prima d'inserire la spina nella presa di corrente.
- **Togliere gli attrezzi di regolazione e le chiavi.** Assicurarsi di avere tolto tutti gli attrezzi di regolazione e le chiavi dall'elettro utensile prima dell'accensione. Una chiave o un attrezzo che rimane in una parte rotante dell'elettro utensile può provocare lesioni personali.
- **Non compiere movimenti impropri o utilizzare l'utensile su superfici instabili.** Tenere sempre la postura e l'equilibrio corretti.
- **Usare l'equipaggiamento di sicurezza.** Indossare mascherina antipolvere, scarpe di sicurezza antiscivolo, elmetto o cuffie per le condizioni appropriate. Indossare sempre occhiali protettivi omologati CE. Gli occhiali normali hanno solo lenti resistenti agli impatti e NON sono occhiali di sicurezza.

Sicurezza Elettrica

- **Staccare l'alimentazione dall'utensile** quando non viene utilizzato, prima degli interventi di manutenzione o quando si sostituiscono gli accessori, come ad es. chiodi ecc.

- **Non esporre mai gli elettroutensili alla pioggia o all'umidità.**
- **La spina dell'elettroutensile deve essere adatta alla presa.** Evitare assolutamente di apportare modifiche alla spina. Non usare spine adattatrici assieme ad elettroutensili con collegamento a terra. Le spine non modificate e le prese adatte allo scopo riducono il rischio di scosse elettriche.
- **Salvaguardarsi dalle scosse elettriche.** Quando si usano elettroutensili, evitare il contatto con superfici a massa quali tubi, caloriferi, forni e frigoriferi.
- **Evitare errati impieghi del cavo di alimentazione.** Non utilizzare mai il cavo di alimentazione per trasportare l'elettroutensile o il caricabatterie, o per estrarre la spina dalla presa. Tenere il cavo di alimentazione lontano da fonti di calore, olio, bordi taglienti o parti mobili. I cavi danneggiati o aggrovigliati possono creare un incendio o aumentare il rischio di scosse elettriche.
- **Lavoro all'aperto.** Utilizzare solo un cavo di prolunga omologato all'uso all'aperto. Assicurarsi che il cavo di prolunga sia cablo correttamente e in buone condizioni elettriche.

Uso e Cura dell'Elettroutensile

- **Non sforzare l'elettroutensile.** Usare sempre l'utensile adeguato all'applicazione. Questo garantirà il lavoro migliore e più sicuro, alla velocità prevista.
- **Non utilizzare l'elettroutensile se l'interruttore di comando è difettoso.** Un elettroutensile non controllabile mediante l'interruttore di comando è pericoloso e deve essere riparato.
- **Prima di effettuare regolazioni, di sostituire gli accessori o di riporre l'utensile, scollegarlo dall'alimentazione.** Tali misure di sicurezza preventiva riducono il rischio di accensione accidentale dell'elettroutensile.
- **Non alterare o utilizzare l'elettroutensile in modo improprio.** L'uso dell'elettroutensile per operazioni diverse da quelle intese potrà provocare una situazione pericolosa.
- **NON tirare in caso di inceppamento dei chiodi.** Questo danneggerà la lama e potrà facilitare gli incidenti.
- **Tenere le dita lontane dal grilletto** fino a quando non si è pronti a conficcare il chiodo.
- **NON utilizzare su superfici dure** come ad esempio rocce, calcestruzzo, murature, mattoni o acciaio. Questo potrebbe provocare lesioni personali o danneggiare l'elettroutensile.
- **Fissaggio del pezzo da lavorare.** Utilizzare una morsa o appositi dispositivi di bloccaggio per fissare e sostenere il pezzo da lavorare ad un supporto stabile. Il fatto di tenere il pezzo in mano o contro il proprio corpo non è sicuro e può provocare una perdita di controllo.
- **Deposito degli elettroutensili.** Riporre qualsiasi elettroutensile non in uso in un armadietto asciutto e chiuso a chiave, lontano dalla portata dei bambini e di altre persone non addestrate.
- **Verificare le parti danneggiate.** Verificare l'eventuale disassamento o bloccaggio delle parti mobili, la rottura di parti o qualsiasi altra condizione che possa compromettere il funzionamento dell'elettroutensile. Se danneggiato, fare riparare l'elettroutensile prima di utilizzarlo. Una manutenzione inadeguata degli elettroutensili può provocare incidenti.
- **Garantire un'adeguata manutenzione degli elettroutensili.** Mantenere gli elettroutensili affilati e puliti per garantire una prestazione migliore e sicura. Controllare regolarmente tutti i cavi e sostituirli se risultano danneggiati.
- **Accessori raccomandati.** Utilizzare esclusivamente gli accessori raccomandati dal fabbricante per il proprio modello. Gli accessori appropriati per un utensile possono provocare potenziali lesioni se utilizzati con un altro utensile.
- **Mantenere l'elettroutensile e l'impugnatura asciutti, puliti e privi di olio e grasso.** Usare sempre un panno pulito per la pulizia. Non usare mai olio dei freni, benzina, prodotti a base di petrolio o qualsiasi solvente forte per pulire l'elettroutensile. Attenersi a questa regola per ridurre il rischio di perdita di

controllo ed il deterioramento del corpo dell'elettroutensile.

- **Attenzione ai pericoli nascosti.** Fare sempre attenzione che non vi sia il pericolo di colpire cavi di alimentazione o tubi dell'acqua o del gas nascosti.
- **Utilizzare una morsa o appositi dispositivi di bloccaggio per fissare e sostenere il pezzo da lavorare ad un supporto stabile.** Il fatto di tenere il pezzo in mano o contro il proprio corpo non è sicuro e può provocare una perdita di controllo.

Istruzioni di Sicurezza Particolari

- **Utilizzare solo i chiodi specificati nel presente manuale.** L'impiego di accessori che non sono progettati specificamente per questo utensile può provocare lesioni personali e/o danneggiare l'elettroutensile.
- **Durante il funzionamento, non toccare mai alcuna parte del caricatore o del naso dell'elettroutensile.** Trattenere l'utensile soltanto per l'impugnatura o il corpo.
- **Non attivare l'elettroutensile se non è a contatto con il pezzo da lavorare.** Il premere con le dita lo spillo di sicura sulla sicura a contatto del naso, oppure l'effettuare un'operazione non appropriata potranno causare gravi lesioni.
- **Fissaggio di oggetti sottili.** Fare particolare attenzione ad eventuali penetrazioni attraverso articoli sottili. Questo potrebbe essere pericoloso alle persone o agli oggetti situati dietro il pezzo da lavorare o nell'area circostante.
- **Non utilizzare mai l'utensile come martello.** L'impatto improvviso potrebbe dislocare i componenti interni dell'utensile, provocando la scarica degli elementi di fissaggio ed eventuali lesioni.
- **Scaricare sempre il caricatore** una volta completato il fissaggio, e staccare dalla presa di corrente.
- **Non smontare o bloccare qualsiasi parte degli utensili \ di fissaggio.**
- **Prima di ogni operazione.** Controllare che il meccanismo di sicurezza e di scatto funzioni correttamente e che tutti i dadi e bulloni siano stretti.
- **Non puntare mai un elettroutensile verso voi stessi o altre persone.** Durante il lavoro, trattenere l'utensile in modo tale \ da non causare lesioni alla testa o al corpo nel caso di eventuali contraccolpi.
- **Non azionare mai l'elettroutensile nello spazio libero o nell'aria.** Gli elementi di fissaggio possono penetrare attraverso i pezzi da lavorare sottili oppure scivolare via dagli angoli e dai bordi del pezzo da lavorare, mettendo le persone potenzialmente a rischio.
- **Non conficcare elementi di fissaggio in cima ad altri elementi di fissaggio.**

Utilizzazione di un Cavo di Prolunga

Non utilizzare un cavo di prolunga a meno che ciò non sia assolutamente necessario. Se essenziale, usare un cavo di prolunga omologato, adatto per la potenza di ingresso del caricabatterie (vedere i dati tecnici). La dimensione minima del conduttore è 1mm², e la lunghezza massima è 30 metri.

Assistenza

Gli interventi di assistenza richiedono molta cura e comprensione dell'utensile, e vanno eseguiti esclusivamente da un Tecnico di Assistenza qualificato Tacwise. Eventuali interventi di assistenza o manutenzione effettuati da personale non qualificato possono provocare potenziali lesioni.

Modello e Numero di Serie

Il numero di modello dell'utensile è contrassegnato sull'etichetta ubicata nel canale del caricatore dell'utensile, ed il numero di serie è situato sul corpo dell'utensile.

Siete pregati di registrare il numero di modello ed il numero di serie nello spazio seguente. Qualora ci dobbiate contattare, Vi preghiamo di indicare sempre le seguenti informazioni:

NUMERO DI MODELLO

NUMERO DI SERIE

Caratteristiche (Fig. A)

La vostra chiodatrice è stata progettata per conficcare elementi di fissaggio nei pezzi di legno.

1. Grilletto di sicurezza gommato
2. Lungo cavo di alimentazione
3. Interruttore di accensione/spengimento
4. Sicura di caricamento professionale a sgancio rapido
5. Caricatore professionale in metallo con guide di riferimento per i chiodi
6. Sistema professionale in metallo per la sicurezza del naso
7. Protettore in gomma per superfici morbide
8. Lungo naso sporgente per lavorare all'interno di angoli/scanalature difficili
9. Speciale piastra del naso a sgancio rapido

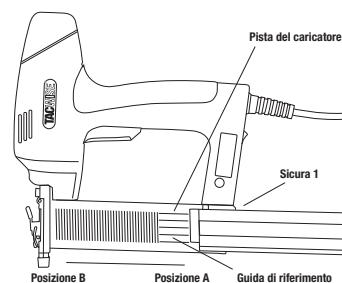
Pulsante di Bloccaggio di Sicurezza dell' Accensione/Spengimento del Grilletto

L'utensile è dotato di un pulsante di sicurezza dell' accensione/spengimento (4), che impedisce all'utensile di tirare un chiodo bloccando il grilletto (1) quando il pulsante è in modalità spenta (off). Quando il pulsante è acceso (on), il grilletto viene attivato. Accertarsi sempre che il pulsante di sicurezza dell' accensione/ spegnimento sia spento prima di effettuare qualsiasi regolazione oppure se l'utensile non viene utilizzato immediatamente.

Caricamento dell' Utensile con Chiodi

- Togliere la spina dalla presa di corrente.
- Sganciare la sicura e fare scorrere indietro il caricatore dalla posizione B alla A.
- Inclinare l'utensile e collocare le chiodi nel canale, in modo che la parte superiore del chiodo/la corona sia situata nella parte superiore del caricatore (le gambe rivolte in senso opposto rispetto al corpo dell'utensile).
- Chiudere il caricatore premendolo fino a non avere fatto scattare la sicura.

NOTA: Raccomandiamo vivamente di utilizzare esclusivamente chiodi approvati/genuini Tacwise in quanto abbiamo riscontrato molti problemi di assistenza causati dall'impiego di elementi di fissaggio di qualità.



Scaricamento dell' Utensile

- Togliere la spina dalla presa di corrente.
- Sganciare la sicura e fare scorrere indietro il caricatore dalla posizione B alla A.
- Inclinare l'utensile e togliere qualsiasi chiodo dal canale.
- Chiudere il caricatore premendolo fino a non avere fatto scattare la sicura.

Protettore del naso/della punta per evitare segni

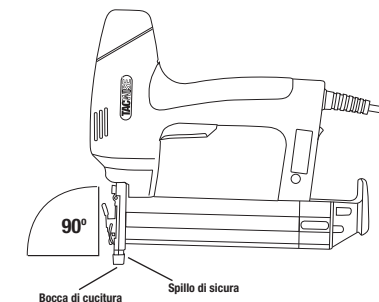
Un protettore in gomma del naso (8), che evita di segnare la superficie del pezzo da lavorare, viene fornito in dotazione con l'utensile. Per togliere il protettore del naso basta semplicemente tirarlo via e conservarlo quando non viene utilizzato. A seconda dell'applicazione, questo utensile potrà essere utilizzato con o senza il protettore in gomma del naso. Se, ad esempio, si devono eseguire fissaggi in angoli stretti, utilizzare l'utensile senza il naso. Per le superfici morbide che potrebbero essere danneggiate e segnate, aggiungere il protettore in gomma del naso. Per ordinare ulteriori protettori del naso, specificare il Codice di Ordinanza 1172. Accertarsi che il pulsante di bloccaggio di sicurezza dell' accensione/spengimento del grilletto sia spento prima di installare o rimuovere il protettore del naso.

Istruzioni per l'uso Preparazione dell' utensile

- Estrarre tutti i chiodi dal caricatore (Vedere "Scaricamento dell'Utensile" per istruzioni)
- Controllare che la sicura a contatto del naso possa muoversi liberamente.
- Ricaricare i chiodi nel caricatore.
- Non utilizzare l'utensile se la sicura a contatto del naso non può muoversi liberamente.

Inchiodatura

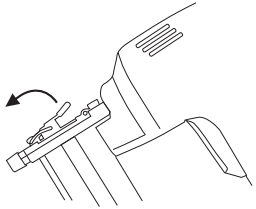
- Accendere l'utensile utilizzando l'interruttore di accensione/spengimento.
- Trattenerne saldamente l'utensile in modo che la bocca di cucitura sia appoggiata contro il pezzo di lavorazione- l'utensile funziona soltanto premendo fermamente lo spillo di sicura situato nella bocca contro il pezzo di lavorazione.
- Premere il grilletto per tirare.
- Sulle superfici dure, premere la parte superiore dell'utensile con la mano libera.
- Sulle superfici morbide, usare una pressione leggera per evitare la penetrazione eccessiva dei chiodi e usare l'elemento del naso (fornito in dotazione) per evitare di segnare la superficie.



Rimozione dei Chiodi Inceppati nel Naso

NOTA: È imperativo togliere qualsiasi chiodo inceppato prima di continuare ad utilizzare l'utensile. Il meccanismo potrebbe danneggiarsi se si tenta di tirare un chiodo mentre l'utensile è inceppato.

- Togliere la spina dalla presa di corrente.
- Capovolgere l'utensile; premere la sicura di sgancio e fare scorrere la base per aprirla.
- Inclinare l'utensile e togliere qualsiasi chiodo non usato dal canale – questo dovrebbe liberare l'elemento di fissaggio inceppato.
- Se questo non dovesse funzionare, sganciare la piastra del naso come segue.



- Dopo avere tolto un chiodo inceppato, controllare attentamente che l'utensile funzioni prima di continuare a lavorare. Se le i chiodi rimangono frequentemente inceppati nel naso, richiedere l'assistenza da un tecnico Tacwise.

Manutenzione

Il vostro Elettrotroutensile Tacwise è stato progettato per funzionare a lungo richiedendo la minima manutenzione. Per prestazioni sempre soddisfacenti, occorre avere cura dell'utensile e sottoporlo ad una pulizia regolare.

Pulizia

- Staccare l'utensile dalla presa di corrente prima di pulire il corpo con un panno morbido.
- Mantenere le feritoie di ventilazione libere, e pulire regolarmente il corpo con un panno morbido.

Lubrificazione

Questo utensile non necessita lubrificazioni. La lubrificazione dell'utensile potrebbe danneggiare le parti interne.

Consigli sul Prodotto e Supporto Tecnico

Cosa fare in caso di problemi con l'utensile Tacwise? Inviare una email a: service@tacwise.com.

I chiodi si inceppano all'interno dell' utensile

- Utilizzare elementi di fissaggio genuini Tacwise, del tipo specificato per l'utensile.
- Scegliere il tipo di materiale o la lunghezza di elemento di fissaggio appropriati.
- Pulire/disotturare il naso.
- Pulire il caricatore

L'utensile non conficca i chiodi

- Caricare gli elementi di fissaggio all'interno del caricatore.
- Utilizzare elementi di fissaggio genuini Tacwise, del tipo specificato per l'utensile.
- Pulire/disotturare il naso.
- Pulire il caricatore.

L'utensile non conficca completamente il chiodo

- Scegliere il tipo di materiale o la lunghezza di elemento di fissaggio appropriati.
- È probabile che il materiale sia troppo duro per conficcare i chiodi più lunghi.

Servizio di Riciclaggio Tacwise – al servizio dei clienti e dell'ambiente.

Utensili da Gettare

Riciclare i materiali da gettare invece di smaltirli come rifiuti. Separare tutti gli utensili e i materiali di imballaggio, e portarli al centro di riciclaggio locale per eliminarli nel rispetto dell'ambiente.

Alternativamente, siete pregati di inviare una email a: service@tacwise.com per ricevere informazioni su come smaltire gratuitamente l'elettrotroutensile Tacwise nel rispetto dell'ambiente.

Garanzia

Tutti gli elettrotroutensili Tacwise sono stati controllati e testati con attenzione, e sono soggetti ai più rigorosi controlli di Assicurazione della Qualità. Tacwise offre pertanto la seguente garanzia per gli elettrotroutensili Tacwise. Questa garanzia non incide sul vostro reclamo di garanzia, basato sul vostro contratto di vendita con il rivenditore, inclusi i vostri diritti statutari.

Garanzia di Un Mese

Se non siete completamente soddisfatti delle prestazioni del vostro elettrotroutensile Tacwise, oppure se l'elettrotroutensile è difettoso o danneggiato al momento dell'acquisto, sostituiremo il prodotto o invieremo il rimborso completo entro 28 giorni dalla data di acquisto. È necessario produrre una prova di acquisto, con una ricevuta originale, e restituire l'utensile completo, uguale al momento dell'acquisto, presso il punto di vendita. Questo non incide sui vostri diritti statutari.

Assistenza Gratuita per Un Anno

L'eventuale manutenzione o assistenza necessaria per il vostro elettrotroutensile Tacwise nei primi 12 mesi dalla data di acquisto sarà effettuata gratuitamente da parte di un Tecnico di Assistenza Tacwise su presentazione della prova di acquisto con una ricevuta originale. Questo include la manodopera e i pezzi di ricambio per l'utensile. Tuttavia, in alcuni casi, l'opzione più economica sarà probabilmente la fornitura di un'unità di ricambio da parte di Tacwise. Sono esclusi gli accessori quali batterie, elementi di fissaggio ecc.

Garanzia Standard di Un Anno

Se il vostro elettrotroutensile Tacwise risultasse difettoso a causa di vizi di materiale o difetti di lavorazione, entro 12 mesi dalla data di acquisto, provvederemo alla sostituzione gratuita di tutte le parti difettose o, a nostro giudizio, alla sostituzione gratuita dell'utensile. Questa garanzia non copre:

- Gli utensili che hanno ricevuto modifiche o aggiunte non autorizzate.
- I difetti causati dall'impiego di accessori, componenti o pezzi di ricambio diversi dagli accessori o dai pezzi approvati /genuini Tacwise.
- I componenti che sono soggetti all'usura naturale causata dall'uso in conformità alle nostre istruzioni operative.
- I difetti dell'utensile causati da un uso inadeguato, da condizioni ambientali anomale ovvero condizioni operative non appropriate, dall'inadempienza delle nostre istruzioni operative o da un'assistenza o manutenzione insufficienti.
- Sarà necessario produrre una prova di acquisto con una ricevuta originale.

Per informazioni sul vostro Tecnico di Assistenza Tacwise della zona, inviare una email a: service@tacwise.com, o per registrare la garanzia, visitare www.tacwise.com/register.asp

