

OPERATOR'S MANUAL

Extra Long Nose 71 Staple Tacker

A7116LN

| | | |
|-------------|---------------------|--|
| (EN) | OPERATOR'S MANUAL | www.tacwise.com/manuals |
| (DE) | BENUTZER-HANDBUCH | www.de.tacwise.com/manuals |
| (FR) | MODE D'EMPLOI | www.fr.tacwise.com/manuals |
| (ES) | MANUAL DEL OPERADOR | www.es.tacwise.com/manuals |
| (IT) | MANUALE UTENTE | www.it.tacwise.com/manuals |

IMPORTANT

Please make certain that the person who is to use this equipment carefully reads and understands these instructions before starting operations.

WICHTIG

Bitte stellen Sie sicher, dass die Person, die mit diesem Gerät arbeiten wird die Anleitungen vor Gebrauch sorgfältig durchliest und versteht.

IMPORTANT

Veillez vous assurer que l'utilisateur de cet équipement a lu et compris les consignes de manipulation avant de mettre en marche l'appareil.

IMPORTANTE

Por favor, asegúrese que la persona que va a usar este equipo lea detenidamente y conozca estas instrucciones antes de usarlo.

IMPORTANTE

Accertarsi che l'utente abbia letto e compreso queste istruzioni prima di procedere all'utilizzo dell'apparecchio.

Fig. A

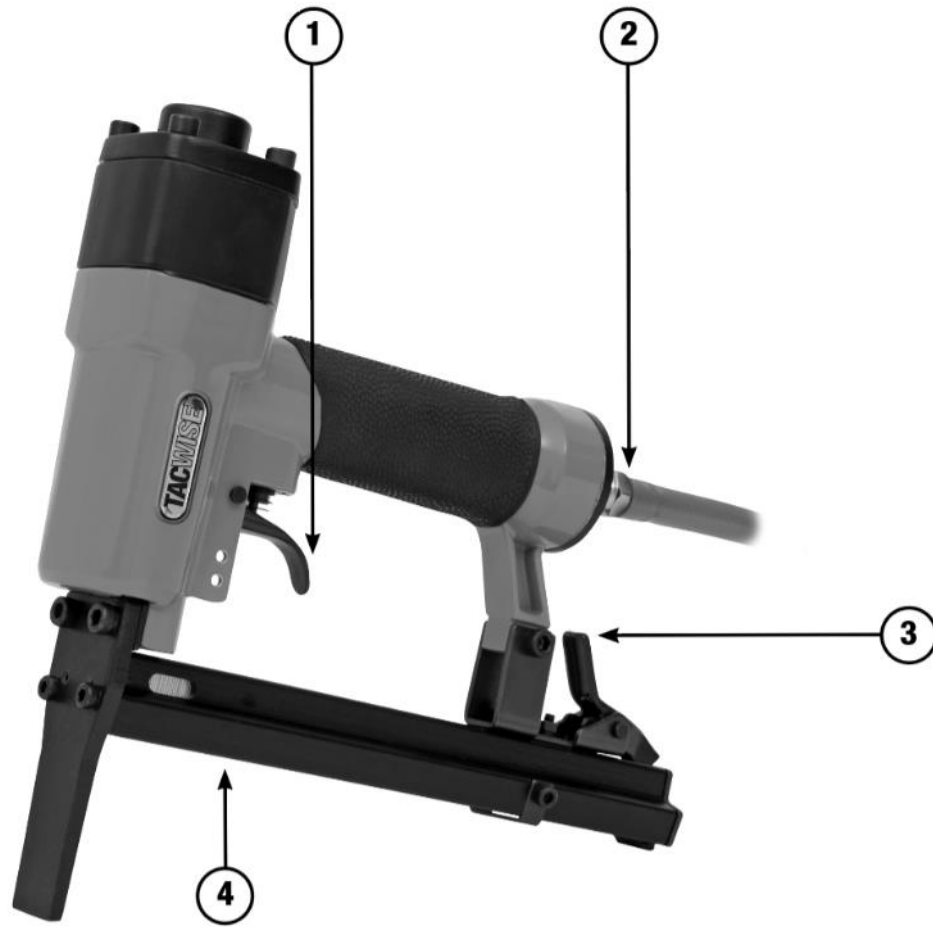


Fig. B – Connecting a tool to the air supply

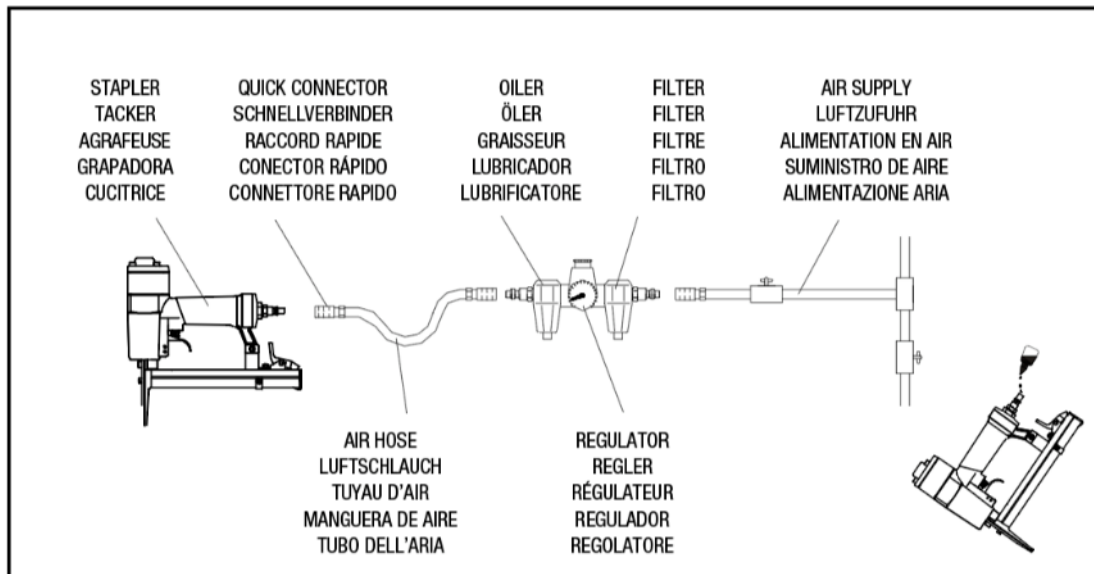
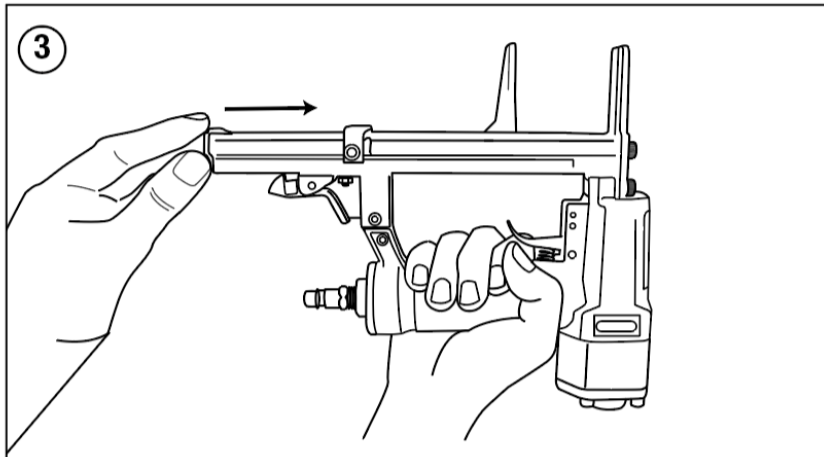
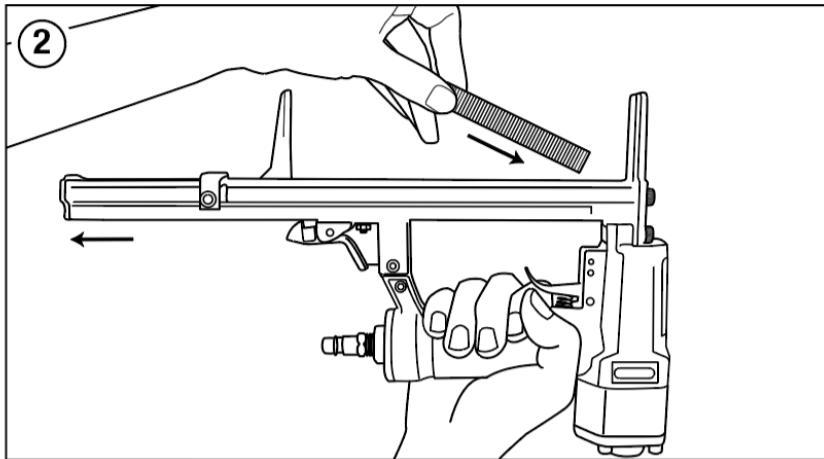
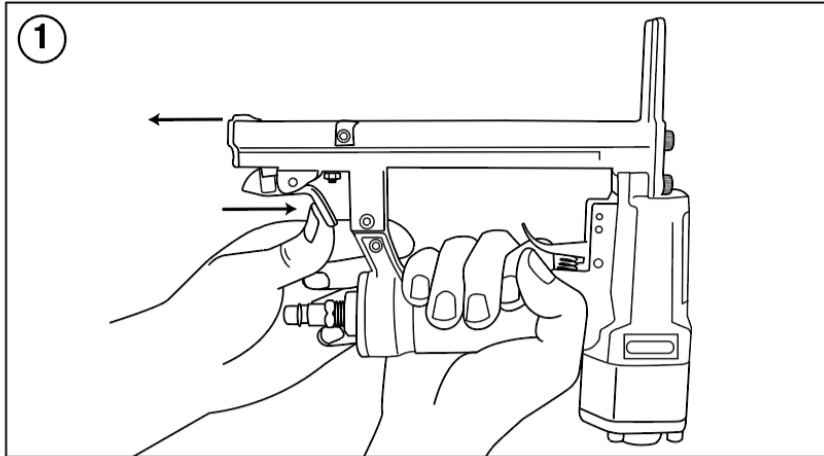


Fig. C – Loading the fasteners

**Congratulations!**

On the purchase of your Tacwise power tool. Your tool will perform to your satisfaction for a long time if handled in accordance with our Safety and Operating Instructions.

Save this manual for future reference.

Safety & Warnings

WARNING! Before use carefully read and understand all instructions

Failure to do so could result in fire and/or serious personal injury. The term "power tool" in all of the warnings listed below refers to air powered tools. For any queries relating to safety matters on this power tool, please email service@tacwise.com

Unpacking

- Carefully remove the power tool and accessories from the outer packaging.
- Inspect the power tool carefully to make sure no breakage or damage occurred during transit.
- If any parts are damaged or missing, please email service@tacwise.com for assistance. Do not operate this power tool until the missing or damaged parts are replaced. Failure to do so could result in a personal injury.
- Whilst every effort has been made to ensure accuracy of information contained within this manual, the Tacwise policy is one of continuous improvement to our products and as such we reserve the right to change the product specification without prior notice.

General safety instructions

Important. Tacwise recommends that this power tool should not be modified or used for any application other than that for which it was designed. Any such alteration or modification is misuse and could result in a hazardous condition leading to a personal injury. If you are unsure of its relative applications do not hesitate to contact us and we will advise you.

Work area

- Keep your work area clean and well lit. Cluttered benches and dark areas invite accidents.
- Keep children, pets and all bystanders at a safe distance away from work area whilst operating the tool.
- Avoid dangerous environments. Do not use power tools in damp or wet locations or expose them to rain. Provide adequate space surrounding the work area. Do not use in environments with a potentially explosive atmosphere, such as in the presence of flammable liquids, gases or dust; power tools will create sparks which may ignite the dust or fumes.
- Secure work. Use clamps or a vice to hold work. This frees both hands to operate the power tool.

Personal safety

- Stay alert. Always watch what you are doing and use common sense. Do not operate a power tool when you are tired or under the influence of medication, alcohol or drugs.
- Wear proper clothing. Do not wear loose clothing or jewellery that can catch in moving parts. Non-slip footwear is recommended. Contain long hair and roll long sleeves up above the elbow.
- Do not overreach or use on unstable surfaces. Keep proper footing and balance at all times.
- Use safety equipment. Dust mask, non-skid safety shoes, hard hat, and hearing protection must be used for appropriate conditions. Wear CE or UKCA approved safety goggles at all times. Normal spectacles only have impact resistant lenses; they are not safety glasses.

Air tool safety

- Never use oxygen combustible gases, bottled gases or high pressure compressed gas as a power source for this tool. The tool may explode and cause serious injury.
- Outdoor extension cords. When air compressor is used outdoors, use only rounded jacket extension cords intended for outside use. See manufacturer's manual for the AWG required for the compressor's amperage draw.
- Pay attention to air hose and their connections. Do not trip over hoses. Make sure all connections are tight.
- Use the correct air connector. The connector on the tool must not hold pressure when the air supply is disconnected. If the wrong fitting is used, the tool can be charged with air after being disconnected and still be able to drive a fastener.
- When connecting the air, the tool may possibly fire the fasteners as soon as you plug it in to the air hose. Therefore, remove all the fasteners before connecting to the air.
- Do not depress the trigger when loading.
- If the fasteners are jammed, disconnect the tool from the air and remove the jammed fasteners.

Power tool use and care

- Do not force the power tool. Use the correct power tool for your application. It will do the job better and safer at the rate for which it was designed.
- Do not alter or misuse the power tool. Use of the power tool for operations different from those intended could result in a hazardous situation.
- Do not fire if the fastenings are jammed. This will cause damage to the driver blade and could invite accidents.
- Keep fingers off the trigger until ready to drive the fastening.
- Do not use on hard surfaces such as rock, concrete, masonry, bricks or steel. Personal injury or damage to the power tool could result.
- Secure work. Use clamps or other practical ways to secure and support the work piece to a stable platform. Holding the work by hand or against your body is unstable and may lead to loss of control.
- Store power tools. When not in use, all power tools should be stored in a dry, locked cupboard and out of the reach of children and other untrained persons.
- Check for damaged parts. Check for misalignment or bending of moving parts, breakage of parts and any other condition that may affect the power tools operation. If damaged, immediately discontinue use and ensure the power tool is repaired by an authorised service agent before using again. Poorly maintained power tools can result in accidents.
- Maintain power tools with care.
- Recommended accessories. Use only accessories that are recommended by the manufacturer for your model. Accessories that may be suitable for one tool may create a risk of injury when used on another tool.
- Keep the power tool and its handle dry, clean and free from oil and grease for the best and safest performance. Always use a clean cloth when cleaning. Never use brake fluids, gasoline, petroleum-based products, or any strong solvents to clean your power tool. Following this rule will reduce the risk of loss of control and deterioration of the power tool housing.

Specific safety instructions

- Always assume the tool is loaded with fasteners. Handling the tool without care could result in an unexpected firing of fasteners and lead to personal injury.
- Use only the fastenings specified in the manual. Use of accessories that are not designed for this tool could result in personal injury and/or damage to the power tool.
- Do not touch any parts of the power tool magazine or nose during operation. Hold only by the handle or housing of the tool.
- Do not activate the power tool unless it is in contact with the work piece. Serious injury can result if you depress the safety contact nose with your fingers, or by improper operation.

- Fastening thin items. Special caution must be taken for possible penetration through thin items, as this could cause possible harm to anyone or anything behind the work piece or immediate area.
- Never use the tool as a hammer. The sudden impact could shift inner components of the power tool, resulting in a fastener discharge and injury.
- Do not disassemble or block any parts of the fastener driving parts.
- Prior to each operation, check that the safety and trigger mechanism is functioning properly.
- Never point any power tool at yourself or at any other person. While working, hold the tool in such a way that no injuries can be caused to the head or to the body in the event of possible recoil.
- Never fire the power tool into free space or the air. Fasteners can penetrate thin work pieces or slip off corners and edges of the work piece, potentially putting people at risk.
- Do not drive fasteners on top of other fasteners.
- Do not use this tool to fasten electric cables. This tool is not designed for the installation of electric cabling and may damage electric cables which could lead to injury by electric shock or fire hazards.
- Beware of hidden danger. Always make sure there is no danger of hitting any hidden power cables, water or gas pipes. Use appropriate detectors to determine if any utility lines (electric, gas or water) are hidden within the work area or call your local utility company for assistance.

Regular maintenance

- Frequent, but not excessive, lubrication is required for best performance. Oil added through the airline connection will lubricate internal parts. An automatic airline oiler is recommended but oil may be added manually before every operation or after about 1 hour of continuous use. Only a few drops of oil at a time are necessary. Too much oil will collect inside the tool and be blown out during the exhaust cycle. Only use pneumatic tool oil. Do not use detergent oil or additives, as these lubricants will cause accelerated wear to the seal in the tool.
- Use a small amount of oil on all moving surface and pivots.
- Dirt and water in the air supply are major causes of pneumatic tool wear. Use a filter/oiler for better performance and longer life. The filter must have adequate flow capacity for the specific application. Consult the manufacturer's instructions for proper maintenance of your filter.
- Keep tools clean for better and safer performance. Use non-flammable cleaning solutions only if necessary (caution: such solutions may damage O-ring and other tool parts). Do not soak.

Product advice and technical support

What to do if you have a problem with your Tacwise power tool? Email service@tacwise.com

Unwanted tools

Recycle unwanted materials instead of disposing them as waste. All tools and packaging should be sorted, taken to the local recycling centre and disposed of in an environmentally safe way. Alternatively, please email service@tacwise.com for details on how to dispose of your Tacwise power tool free of charge in an environmentally friendly manner.

Troubleshooting

Stop using the tool immediately if any of the following problems occur. Serious personal injury could occur. Any repairs or replacements must be completed by a qualified person or an authorised service centre only.

| Problem | Cause of problem | Solution |
|---|--|--|
| Air leaking at trigger area | 1. O-ring in trigger valve is damaged. 2. Trigger valve head is damaged. 3. Trigger valve stem, seal or O-ring is damaged. | 1. Check and replace O-ring. 2. Check and replace trigger valve head. 3. Check and replace trigger valve stem, seal or O-ring. |
| Air leaking between body and front plate | 1. Damaged piston O-ring or bumper. | 1. Check and replace O-ring or bumper. |
| Air leaking between body and cylinder cap | 1. Screw loose. 2. Damaged seal. | 1. Tighten screws. 2. Check and replace seal. |
| Blade driving fastener too deeply | 1. Worn bumper. 2. Air pressure is too high. | 1. Replace bumper. 2. Adjust the air pressure |
| Runs slowly or has power loss | 1. Insufficient oil. 2. Insufficient air supply. 3. Broken spring in cylinder cap. 4. Exhaust port in cylinder cap is blocked. | 1. Lubricate as instructed. 2. Check air supply. 3. Replace spring. 4. Replace damaged internal parts. |
| Tool skips a fastener | 1. Worn bumper or damaged spring. 2. Dirt in front plate. 3. Inadequate airflow to tool. 4. Worn or dry O-ring on piston. 5. Damaged O-ring on trigger valve. 6. Cylinder cap seal leaking. | 1. Replace bumper or pusher spring. 2. Clean drive channel of front plate. 3. Check hose and compressor fittings. 4. Replace O-ring or lubricate. 5. Replace O-ring. 6. Replace seal. |
| Fasteners are jammed | 1. Joint guider is worn. 2. Fasteners are wrong size or damaged. 3. Magazine or front plate screws are loose. 4. Blade in piston assembly is damaged. | 1. Replace joint guider. 2. Use the recommended and undamaged fasteners. 3. Tighten screws. 4. Replace piston assembly |
| Tool will not fully drive fastening | 1. Worn blade in piston assembly. 2. Lack of power. 3. Slow cycling and loss of power | 1. Replace piston assembly. 2. Adjust to adequate air pressure. 3. Check cylinder cap spring for broken coils or reduced length. Check if exhaust port of cylinder cap is restricted. |

Guarantee

All Tacwise power tools are carefully checked, tested and are subject to the stringent controls of Quality Assurance. Tacwise therefore offers the following guarantee for Tacwise power tools. Your warranty claim based on your sales contract with the retailer, including your statutory rights, shall not be affected by this guarantee.

One-month guarantee

If you are not completely satisfied with the performance of your Tacwise power tool or it is faulty or damaged on purchase, then we will exchange the product or issue a full refund within 28 days of purchase. Proof of purchase must be produced with an original receipt and the tool must be returned complete as purchased to the point of purchase. This does not affect your statutory rights.

One-year standard tool warranty

Should your Tacwise air tool become defective due to faulty materials or workmanship within 12 months from the date of purchase, we guarantee to replace all defective parts free of charge or at our discretion, replace the tool entirely. However, this one-year warranty does not cover any consumable parts such as drivers, O-rings, springs etc.

6-month standard consumable parts warranty

Tacwise air tools are warranted to be free from defects with all its original consumable parts for 6-months from the date of purchase.

Neither of these warranties cover:

- Tools that have received unauthorised changes or additions.
- Defects caused by using accessories, components or spare parts other than approved/genuine Tacwise accessories or parts.
- Component parts that are subject to natural wear and tear caused by use in accordance with our operating instructions.
- Defects to the tool caused by improper use, abnormal environmental conditions or inappropriate operating conditions, non-compliance with our operating instructions or insufficient servicing or maintenance.
- Proof of purchase must be produced with an original receipt.

Operating Instructions

Technical data

| Characteristics | Value |
|--------------------------------|----------------------------|
| Model | A7116LN |
| Staple type | Tacwise 71 series staples |
| Staple length range | 4mm (5/32") – 16mm (5/8") |
| Magazine capacity | 180 |
| Minimum operating air pressure | 60psi / 4.14 bar |
| Maximum operating air pressure | 100psi / 6.89 bar |
| Air inlet | 1/4" NPT |
| Air consumption | 0.8 CFM @ 90psi / 6.20 bar |
| Weight | 1.1kg (2.4lbs) |
| Vibration emission level* | 1.63m/s ² |

* The declared vibration emission level represents the main applications of the tool. However if the tool is used for different applications, with different accessories or poorly maintained, the vibration emission may differ. This may significantly increase exposure level over the total working period.

CE – Declaration of Conformity A7116LN



Tacwise declares that this power tool has been designed in compliance with the Regulations and Standards of the European Directives.
Quality Department, Tacwise Group Plc – UK

Features (Fig. A)

1. Trigger
2. Quick-release plug (Euro fitting)
3. Magazine release lever
4. Magazine

Set up

Your air tool is fully assembled when you receive it. Before using it, attach the air line and desired air system accessories. See Fig. B for the recommended accessories and connection order. Be sure the air hose is de-pressurised when installing or removing adaptors to the air line.

Connecting the tool to an air supply (Fig. B)

- Determine if the tool needs oil and, if necessary, place two drops of oil in the air plug as shown in Fig. B. If you are using an automatic in-line oiler, check and add oil if necessary.
- Turn the compressor on and set the regulator to the proper pressure for the size and type of fastener being used.
- Connect the tool to the air supply.

Loading the fasteners (Fig. C)

- Hold the tool with the magazine at the top.
 - Depress the magazine release lever to release the magazine.
 - Pull the moveable magazine out.
 - Place a strip of fasteners (with legs facing up) into the magazine channel.
 - Slide the magazine shut until the magazine release lever clicks.
- NOTE: We strongly recommend that you only use approved/genuine Tacwise staples.

Operating the tool

- Connect the tool to the air supply. Make sure the air pressure is in correct range denoted in section of Technical data.
- Load fasteners as directed in the section called Loading the fasteners.
- Hold the body of the tool and press the nose to the work surface, be sure the tool is straight and then gently depress the trigger to drive the fastener.
- Lift the tool off the work surface.

Removing a jammed fastener

NOTE: You must remove any jammed fasteners before using the tool any further. If you continue to try to fire a fastener while the tool is jammed, you could cause damage to the mechanism.

- Disconnect the tool from the compressed air system.
- Remove any unused fasteners from the magazine channel; this should clear the jammed fastener(s).
- Following the removal of a jammed fastener, always carefully test the tool function before proceeding with any work. If fasteners become jammed frequently, have the tool serviced by a Tacwise Engineer or appointed service agent.

DE **Herzlichen Glückwunsch!**
 Zum Kauf Ihres Tacwise Werkzeugs. Ihr Werkzeug wird für eine lange Zeit zu Ihrer Zufriedenheit funktionieren, wenn es gemäß unserer Sicherheits- und Betriebsanweisungen gehandhabt wird.
Bewahren Sie dieses Handbuch für zukünftige Referenzen auf.

Sicherheit und Warnungen

WARNUNG! Lesen Sie vor Gebrauch alle Anweisungen sorgfältig durch, und stellen Sie sicher, dass Sie diese verstehen

Dies zu missachten kann zu einem Stromschlag, einem Feuer und/oder schwere Verletzungen führen. Der Begriff „Werkzeug“ in allen nachfolgend aufgeführten Warnhinweisen bezieht sich auf druckluftbetriebene Werkzeuge. Bei Fragen zur Sicherheit dieses Werkzeug senden Sie bitte eine E-Mail an service@tacwise.com

Auspacken

- Nehmen Sie Werkzeug und Zubehör vorsichtig aus der äußeren Verpackung.
- Überprüfen Sie das Werkzeug sorgfältig, um sicherzustellen, dass während des Transports keine Bruch- oder andere Schäden entstanden sind.
- Falls irgendwelche Teile beschädigt sind oder fehlen, senden Sie bitte eine E-Mail an service@tacwise.com, um Hilfe zu erhalten. Benutzen Sie das Werkzeug erst, wenn die fehlenden oder beschädigten Teile ausgetauscht wurden. Nichtbeachtung kann zu Körperverletzungen führen.
- Obwohl alle Anstrengungen unternommen wurden, um zu gewährleisten, dass alle in diesem Handbuch enthaltenen Informationen genau sind, richtet sich die Tacwise-Richtlinie nach der kontinuierlichen Verbesserung unserer Produkte und daher behalten wir uns das Recht vor, die Produktspezifikation ohne vorherige Ankündigung zu ändern.

Allgemeine Sicherheitshinweise

Wichtig. Tacwise empfiehlt, dieses Druckluftwerkzeug weder zu verändern noch für andere Anwendungen zu benutzen, als für die es entwickelt wurde. Jede derartige Änderung oder jeder Fehlgebrauch ist eine Zweckentfremdung, die zu gefährlichen Betriebsbedingungen und Körperverletzung führen kann. Wenn Sie sich über die jeweiligen Anwendungen nicht sicher sind, zögern Sie nicht, uns zu kontaktieren und wir werden Sie beraten.

Arbeitsbereich

- Achten Sie darauf, dass Ihr Arbeitsbereich sauber und gut beleuchtet ist. Unordnung oder dunkle Arbeitsbereiche können zu Unfällen führen.
- Halten Sie Kinder, Haustiere und alle Umstehenden während der Arbeit mit dem Werkzeug in sicherer Entfernung vom Arbeitsbereich.
- Vermeiden Sie gefährliche Umgebungen. Verwenden Sie das Elektrowerkzeug nicht in feuchten oder nassen Umgebungen und setzen Sie es keinem Regen aus. Sorgen Sie für ausreichend Platz um den Arbeitsbereich herum. Nicht in Umgebungen mit potenziell explosiver Atmosphäre verwenden, z. B. in der Nähe von brennbaren Flüssigkeiten, Gasen oder Staub. Druckluftwerkzeuge erzeugen Funken, die den Staub oder die Dämpfe entzünden können.
- Sicheres Arbeiten. Verwenden Sie Klemmen oder einen Schraubstock, um das Werkstück zu halten. So bleiben beide Hände zur Bedienung des Werkzeug frei.

Persönliche Sicherheit

- Seien Sie aufmerksam. Achten Sie darauf, was Sie tun, und gehen Sie mit Vernunft an die Arbeit. Benutzen Sie kein Druckluftwerkzeug, wenn Sie müde sind oder unter dem Einfluss von Medikamenten, Alkohol oder Drogen stehen.
- Tragen Sie angemessene Kleidung. Tragen Sie keine lose Kleidung oder Schmuck, die sich in den beweglichen Teilen verfangen können. Es wird rutschfestes Schuhwerk empfohlen. Decken Sie langes Haar ab oder binden Sie es zurück, und wickeln Sie lange Ärmel bis zum Ellenbogen hoch.
- Arbeiten Sie nicht in Überreichweite oder auf instabilen Flächen. Behalten Sie immer einen festen Stand und das Gleichgewicht.
- Verwenden Sie Sicherheitsausrüstung. Unter entsprechenden Bedingungen müssen Staubmaske, rutschfeste Sicherheitsschuhe, Schutzhelm und Gehörschutz getragen werden. Tragen Sie immer eine Schutzbrille mit CE- oder UKCA-Kennzeichen. Normale Brillen haben nur schlagfeste Gläser; sie sind KEINE Schutzbrillen.

Sicherheit von Druckluftwerkzeugen

- Verwenden Sie als Energiequelle für dieses Gerät niemals Flaschengase, Hochdruckgas oder Gase, die durch Oxyfuel brennbar sind. Das Gerät kann explodieren und schwere Verletzungen herbeiführen.
- Verlängerungskabel für den Außenbereich. Wenn der Luftkompressor im Freien verwendet wird, verwenden Sie nur Verlängerungskabel mit abgerundeter Außenummantelung, die für den Außenbereich beabsichtigt sind. Schauen Sie für die Norm des Kabelquerschnitts, der für die Stromaufnahme des Kompressors erforderlich ist, in das Handbuch des Herstellers.
- Achten Sie auf den Luftschlauch und dessen Anschlüsse. Stolpern Sie nicht über die Schläuche. Stellen Sie sicher, dass alle Verbindungen fest sitzen.
- Verwenden Sie den richtigen Luftanschluss. Der Anschluss am Gerät darf beim Trennen der Luftzufuhr nicht unter Druck stehen. Wenn das falsche Anschlussstück verwendet wird, kann das Werkzeug nach dem Trennen mit Luft füllen und dennoch in der Lage sein, ein Befestigungselement einzutreiben.
- Beim Anschließen der Luft kann es vorkommen, dass das Werkzeug die Befestigungselemente abfeuert, sobald Sie es an den Luftschlauch anschließen. Entfernen Sie daher alle Befestigungselemente, bevor Sie es an die Luft anschließen.
- Drücken Sie beim Laden den Abzug.
- Wenn die Befestigungselemente verklemt sind, trennen Sie das Gerät von der Luft und entfernen Sie die verklemtten Befestigungselemente.

Gebrauch und Pflege von Druckluftwerkzeug

- Überlasten Sie das Werkzeug nicht. Verwenden Sie das richtige Druckluftwerkzeug für Ihre Anwendung. Mit dem passenden Werkzeug arbeiten Sie besser und sicherer im angegebenen Leistungsbereich.
- Verändern und zweckentfremden Sie das Werkzeug nicht. Die Verwendung des Druckluftwerkzeugs für andere als die vorgesehenen Zwecke kann zu einer gefährlichen Situation führen.
- Nicht feuern, wenn die Befestigungselemente klemmen. Dies verursacht Beschädigungen an der Antriebsklinke und könnte zu Unfällen führen.
- Halten Sie die Finger vom Auslöser fern, bis Sie bereit sind, die das Befestigungselement einzutreiben.
- Nicht auf harten Oberflächen wie Stein, Beton, Mauerwerk, Ziegeln oder Stahl verwenden. Personenschäden oder Beschädigung des Werkzeugs können die Folge sein.
- Sicheres Arbeiten. Befestigen und sichern Sie das Werkstück mittels Zwingen oder auf andere Art und Weise an einer stabilen Unterlage. Das Halten des Werkstücks mit der Hand oder gegen den Körper ist instabil und kann zum Kontrollverlust führen.
- Aufbewahrung von Druckluftwerkzeugen. Bei Nichtgebrauch sollten alle Werkzeuge in einem trockenen, verschlossenen Schrank und außerhalb der Reichweite von Kindern und anderen ungeschulten Personen aufbewahrt werden.
- Überprüfen Sie es auf beschädigte Teile. Überprüfen Sie auf Fehlansrichtung oder Biegung beweglicher Teile, Bruch von Teilen und alle anderen Bedingungen, die den Betrieb von Druckluftwerkzeugen beeinträchtigen könnten. Stellen Sie bei Beschädigung die Benutzung sofort ein und gewährleisten Sie, dass das Druckluftwerkzeug vor erneutem Gebrauch repariert wird. Durch schlecht gewartete Elektrowerkzeuge besteht Unfallgefahr.
- Warten Sie Werkzeuge sorgfältig.
- Empfohlenes Zubehör. Verwenden Sie nur Zubehör, das vom Hersteller für Ihr Modell empfohlen wird. Zubehör, das für ein Werkzeug geeignet sein kann, kann bei Verwendung an einem anderen Werkzeug zu Verletzungsgefahr führen.
- Halten Sie das Elektrowerkzeug und seinen Griff trocken, sauber und frei von Öl und Fett, um eine optimale und sicherste Leistung zu gewährleisten. Verwenden Sie bei der Reinigung immer ein sauberes Tuch. Verwenden Sie, um Ihr Elektrowerkzeug zu reinigen, niemals Bremsflüssigkeiten, Benzin, Produkte auf Erdölbasis oder starke Lösungsmittel. Das Einhalten dieser Regel verringert das Risiko des Kontrollverlusts und der Schädigung des Elektrowerkzeuggehäuses.

Spezifische Sicherheitshinweise

- Gehen Sie immer davon aus, dass das Werkzeug mit Befestigungselementen geladen ist. Unvorsichtiger Umgang mit dem Werkzeug kann zu einem unerwarteten Abfeuern von Befestigungselementen und zu Körperverletzungen führen.
- Verwenden Sie nur die im Handbuch angegebenen Befestigungselemente. Die Verwendung von Zubehör, die nicht für dieses Gerät vorgesehen sind, kann zu Verletzungen und/oder Schäden am Druckluftwerkzeug führen.
- Berühren Sie während des Gebrauchs keine Teile des Werkzeugmagazins oder der Nase. Halten Sie nur den Griff oder das Werkzeuggehäuse.
- Aktivieren Sie das Werkzeug nur dann, wenn es mit dem Werkstück in Berührung kommt. Durch Eindrücken der Sicherheitskontaktnase mit den Fingern oder durch unsachgemäße Bedienung können schwere Verletzungen entstehen.
- Befestigung dünner Gegenstände. Besondere Vorsicht ist hinsichtlich des möglichen Durchdringens dünner Gegenstände geboten, da hierdurch Personen oder Dinge hinter dem Werkstück oder in der unmittelbaren Umgebung verletzt werden könnten.
- Benutzen Sie das Werkzeug niemals als Hammer. Bei einem plötzlichen Aufprall können sich die inneren Komponente des Druckluftwerkzeugs verschieben, was zu einer Verlagerung von Befestigungselementen und zu Verletzungen führen kann.
- Demontieren oder blockieren Sie keine der Befestigungsantriebsteile.
- Vor jeder Inbetriebnahme muss geprüft werden, ob der Sicherheits- und Auslösemechanismus ordnungsgemäß funktioniert.
- Richten Sie ein Werkzeug niemals auf sich selbst oder auf eine andere Person. Halten Sie das Gerät bei der Arbeit so, dass bei einem möglichen Rückstoß keine Verletzungen am Kopf oder am Körper auftreten können.
- Lösen Sie das Werkzeug nie in den freien Raum oder in die Luft aus. Befestigungselemente können dünne Werkstücke durchdringen oder von Ecken und Kanten des Werkstücks abrutschen und möglicherweise Personen gefährden.
- Treiben Sie keine Befestigungselemente auf anderen Befestigungselementen ein.
- Benutzen Sie dieses Werkzeug nicht, um Elektrokabel zu befestigen. Dieses Werkzeug ist nicht für die Installation von elektrischer Leitungen vorgesehen und kann Stromkabel beschädigen, was wiederum zu Verletzungen durch Stromschlag oder Brandgefahr führen kann.
- Achten Sie auf versteckte Gefahr. Stellen Sie immer sicher, dass nicht die Gefahr besteht, versteckte Stromkabel, Wasser- oder Gasleitungen zu treffen. Verwenden Sie geeignete Detektoren, um festzustellen, ob Versorgungsleitungen (Strom, Gas oder Wasser) im Arbeitsbereich verborgen sind, oder erkundigen Sie sich beim örtlichen Versorgungsunternehmen.

Regelmäßige Wartung

- Für die beste Leistung ist eine häufige, aber nicht übermäßige Schmierung erforderlich. Öl, das über die Druckluftleitung zugeführt wird, schmirt die Innenteile. Ein automatischer Airline-Öler wird empfohlen, aber Öl kann vor jedem Betrieb oder nach etwa 1 Stunde Dauerbetrieb manuell nachgefüllt werden. Es sind immer nur ein paar Tropfen Öl notwendig. Zu viel Öl sammelt sich im Werkzeug und wird beim Abluftzyklus herausgeblasen. Verwenden Sie ausschließlich Druckluftwerkzeugöl. Verwenden Sie kein Reinigungsöl oder Zusätze, da diese Schmiermittel zu einem beschleunigten Verschleiß der Dichtung im Werkzeug führen.
- Verwenden Sie auf allen beweglichen Oberflächen und Drehpunkten eine kleine Menge Öl.
- Schmutz und Wasser in der Luftzufuhr sind Hauptursachen für den Verschleiß von pneumatischen Werkzeugen. Für eine bessere Leistung und längere Betriebsdauer verwenden Sie einen Filter/Öler. Der Filter muss für die jeweilige Anwendung über eine ausreichende Durchflusskapazität verfügen. Für eine ordnungsgemäße Wartung Ihres Filters beachten Sie die Anweisungen des Herstellers.
- Um eine bessere und sicherere Leistung zu erzielen, halten Sie die Werkzeuge sauber. Verwenden Sie nur bei Bedarf nicht brennbare Reinigungslösungen (Vorsicht: Solche Lösungen können den O-Ring und andere Werkzeuteile beschädigen). Nicht einweichen.

Produktberatung und technischer Support

Was tun, wenn Sie ein Problem mit Ihrem Druckluftwerkzeug von Tacwise haben? Senden Sie eine E-Mail an service@tacwise.com

Nicht benötigte Werkzeuge

Recyceln Sie unerwünschte Materialien, anstatt sie als Abfall zu entsorgen. Alle Werkzeuge und Verpackungen sollten sortiert, zur örtlichen Wertstoffsammelstelle gebracht und umweltgerecht entsorgt werden. Alternativ senden Sie bitte eine E-Mail an service@tacwise.com, um Einzelheiten zur kostenlosen und umweltfreundlichen Entsorgung Ihres Tacwise Druckluftwerkzeugs zu erfahren.

Fehlerbehebung

Hören Sie sofort auf, das Werkzeug zu benutzen, wenn eines der folgenden Probleme auftritt. Es könnten schwere Personenschäden auftreten. Alle Reparaturen oder Austauscharbeiten dürfen nur von einer qualifizierten Person oder einem autorisierten Servicecenter durchgeführt werden.

| PROBLEM | PROBLEMRURSACHE | LÖSUNG |
|---|---|--|
| Luftaustritt im Auslösebereich | <ol style="list-style-type: none"> 1. Der O-Ring im Auslöseventil ist beschädigt. 2. Der Kopf des Auslöseventils ist beschädigt. 3. Die Schaft, Dichtung oder O-Ring des Abzugsventils ist beschädigt. | <ol style="list-style-type: none"> 1. Prüfen und ersetzen Sie den O-Ring. 2. Prüfen und ersetzen Sie den Kopf des Auslöseventils. 3. Prüfen und ersetzen Sie die Schaft, die Dichtung oder den O-Ring des Abzugsventils. |
| Luft tritt zwischen Gehäuse und Frontplatte aus | <ol style="list-style-type: none"> 1. Beschädigter Kolben-O-Ring oder Dämpfer. | <ol style="list-style-type: none"> 1. Prüfen und ersetzen Sie den O-Ring oder Dämpfer. |
| Luftaustritt zwischen Gehäuse und Zylinderdeckel | <ol style="list-style-type: none"> 1. Schraube locker. 2. Beschädigte Dichtung. | <ol style="list-style-type: none"> 1. Ziehen Sie die Schrauben fest. 2. Prüfen und ersetzen Sie die Dichtung. |
| Die Klinge treibt das Befestigungselement zu tief ein | <ol style="list-style-type: none"> 1. Verschlossene Dämpfer. 2. Der Luftdruck ist zu hoch. | <ol style="list-style-type: none"> 1. Ersetzen Sie den Dämpfer. 2. Stellen Sie den Luftdruck ein |
| Das Werkzeug arbeitet langsam oder hat einen Leistungsverlust | <ol style="list-style-type: none"> 1. Zu wenig Öl. 2. Unzureichende Luftzufuhr. 3. Gebrochene Feder im Zylinderdeckel. 4. Die Absaugöffnung im Zylinderdeckel ist blockiert. | <ol style="list-style-type: none"> 1. Schmieren Sie gemäß den Anweisungen. 2. Überprüfen Sie die Luftzufuhr. 3. Ersetzen Sie die Feder. 4. Ersetzen Sie beschädigten Innenteile. |
| Werkzeug überspringt ein Befestigungselement | <ol style="list-style-type: none"> 1. Verschlossene Dämpfer oder beschädigte Feder. 2. Schmutz in der Frontplatte. 3. Unzureichender Luftstrom zum Werkzeug. 4. Verschlossener oder trockener O-Ring am Kolben. 5. Beschädigter O-Ring am Auslöseventil. 6. Zylinderdeckeldichtung ist undicht. | <ol style="list-style-type: none"> 1. Ersetzen Sie den Dämpfer oder die Druckfeder. 2. Reinigen Sie den Eintriebskanal der Frontplatte. 3. Überprüfen Sie die Anschlussstücke des Schlauchs und Kompressors. 4. Ersetzen und schmieren Sie den O-Ring. 5. Ersetzen Sie den O-Ring. 6. Ersetzen Sie die Dichtung. |

| | | |
|--|--|---|
| Die Befestigungselemente sind verklemmt | <ol style="list-style-type: none"> 1. Die Verbindungsführung ist verschlissen. 2. Die Befestigungselemente haben die falsche Größe oder sind beschädigt. 3. Die Magazin- oder Frontplattenschrauben sind lose. 4. Die Klinge in der Kolbenbauaufertigung ist beschädigt. | <ol style="list-style-type: none"> 1. Ersetzen Sie die Gelenkführung. 2. Verwenden Sie die empfohlenen und unbeschädigte Befestigungselemente. 3. Ziehen Sie die Schrauben fest. 4. Ersetzen Sie die Kolbenbauaufertigung |
| Das Werkzeug führt die Befestigung nicht vollständig durch | <ol style="list-style-type: none"> 1. Verschlissene Klinge in der Kolbenbauaufertigung. 2. Fehlender Strom. 3. Langsamer Zyklus und Leistungsverlust | <ol style="list-style-type: none"> 1. Ersetzen Sie die Kolbenbauaufertigung. 2. Stellen Sie den Luftdruck auf einen ausreichenden Wert ein. 3. Überprüfen Sie die Zylinderdeckelfeder auf gebrochene Windungen oder verringerte Länge. Überprüfen Sie, ob die Absaugöffnung der Zylinderkappe eingeschränkt ist. |

Garantie

Alle Druckluftwerkzeuge von Tacwise werden sorgfältig geprüft, getestet und unterliegen den strengen Kontrollen der Qualitätssicherung. Tacwise bietet daher auf Tacwise Druckluftwerkzeuge die folgende Garantie. Ihr Gewährleistungsanspruch im Rahmen Ihres Kaufvertrags mit dem Händler, einschließlich Ihrer gesetzlichen Rechte, bleiben von dieser Garantie unberührt.

Ein Monat Garantie

Wenn Sie mit der Leistung Ihres Druckluftwerkzeugs von Tacwise nicht vollständig zufrieden sind oder es beim Kauf defekt oder beschädigt ist, tauschen wir das Produkt um oder geben Ihnen innerhalb von 28 Tagen nach Kauf eine vollständige Rückerstattung. Der Kaufbeleg muss mit einer Originalquittung vorgelegt werden und das Werkzeug muss vollständig und so wie gekauft an die Verkaufsstelle zurückgegeben werden. Ihre gesetzlichen Rechte bleiben davon unberührt.

Ein Jahre Standard Werkzeuggarantie

Sollte Ihr Druckluftwerkzeug von Tacwise innerhalb von 12 Monaten ab Kaufdatum aufgrund von Material- oder Verarbeitungsfehlern defekt werden, garantieren wir Ihnen, alle defekten Teile kostenlos zu ersetzen oder nach unserem Ermessen das Werkzeug kostenlos auszutauschen. Jedoch ist diese einjährige Garantie nicht gültig für Verbrauchsteile wie Treiber, O-Ringe, Federn usw.

6 Monate Standardgarantie auf Verbrauchsteile

Für Tacwise Druckluftwerkzeuge und deren originalen Verbrauchsteile gilt eine 6-monatige Garantie auf Mängelfreiheit ab Kaufdatum.

Keine dieser Garantien deckt folgendes ab:

- Werkzeuge, die unbefugt geändert oder ergänzt wurden.
- Mängel, die durch die Verwendung von Zubehör, Komponenten oder Ersatzteilen verursacht wurden, die keine originalen Tacwise Zubehör- oder Ersatzteile sind und von Tacwise nicht zugelassen sind.
- Bauteile, die durch die Verwendung gemäß unserer Betriebsanleitung einem natürlichen Verschleiß unterliegen.
- Defekte am Werkzeug, die durch unsachgemäßen Gebrauch, abnormale Umgebungsbedingungen oder ungeeignete Betriebsbedingungen, Nichtbeachtung unserer Betriebsanleitung oder unzureichende Wartung oder Instandhaltung verursacht wurden.
- Der Kaufbeleg muss mit einer Originalquittung vorgelegt werden.

Benutzerhandbuch

Technische Daten

| Eigenschaft | Wert |
|-----------------------------|-----------------------------|
| Modelltyp | A7116LN |
| Typ der Heftklammer | Tacwise Typ 71 Heftklammern |
| Klammerlänge | 4 mm – 16 mm |
| Magazinkapazität | 180 |
| Minimaler Betriebsluftdruck | 60 psi / 4,14 bar |
| Maximaler Betriebsluftdruck | 100 psi / 6,89 bar |
| Lufteinlass | 1/4" (6 mm) NPT |
| Luftverbrauch | 0,8 CFM @ 90 psi / 6,20 bar |
| Gewicht | 1,1 kg |
| Schwingungsemissionsniveau* | 1,63 m/s ² |

* Das angegebene Schwingungsemissionsniveau stellt die Hauptanwendungen des Werkzeugs dar. Wenn das Werkzeug jedoch für unterschiedliche Anwendungen, mit unterschiedlichem Zubehör benutzt oder schlecht gepflegt wird, kann die Schwingungsemission abweichen. Dies kann das Expositions niveau über die gesamte Arbeitszeit deutlich erhöhen.

**Konformitätserklärung
A7116LN**


Dieses Werkzeugs wurde in Übereinstimmung mit den Vorschriften und Normen der europäischen Richtlinien entwickelt. Quality Department, Tacwise Group Plc – Großbritannien.

Merkmale (Fig. A)

1. Auslöser
2. Schnellverschlussstecker (Euroanschluss)
3. Magazinriegelungshebel
4. Magazin

EINRICHTUNG

Ihr Werkzeug ist vollständig montiert, wenn Sie es erhalten. Befestigen Sie vor Gebrauch die Luftleitung und das gewünschte Luftsystemzubehör. Fig. B zeigt die empfohlene Zubehör und Anschlussreihenfolge. Stellen Sie sicher, dass der Luftschlauch drucklos ist, wenn Sie an der Luftleitung Verbindungsstücke anbringen oder entfernen.

Anschließen des Werkzeugs an eine Luftversorgung (Fig. B)

- Stellen Sie fest, ob das Werkzeug Öl benötigt und geben Sie bei Bedarf zwei Tropfen Öl in den Luftstecker, wie bei Fig.B. Wenn Sie einen automatischen Inline-Öler verwenden, prüfen und füllen Sie gegebenenfalls Öl nach.
- Schalten Sie den Kompressor ein und stellen Sie den Regler auf den richtigen Druck für die Größe und den Typ des Befestigungselements ein.
- Verbinden Sie das Werkzeug mit der Luftzufuhr.

Laden von Befestigungselemente (Fig. C)

- Halten Sie das Werkzeug mit dem Magazin nach oben.
- Drücken Sie den Magazinriegelungshebel, um das Magazin freizugeben.
- Ziehen Sie das bewegliche Magazin heraus.
- Legen Sie einen Streifen Befestigungselemente (mit der Spitze nach unten) in den Magazinkanal.
- Schieben Sie das Magazin zurück, bis der Magazinriegelungshebel hörbar einrastet.

HINWEIS: Wir empfehlen Ihnen dringend, nur original von Tacwise zugelassene Klammern zu verwenden.

Bedienung des Werkzeugs

- Verbinden Sie das Werkzeug mit der Luftzufuhr. Achten Sie darauf, dass der Luftdruck im richtigen Bereich liegt, wie es im Abschnitt Technische Daten angegeben ist.
- Laden Sie die Befestigungselemente wie im Abschnitt Laden von Befestigungselemente beschrieben.
- Halten Sie das Hauptteil fest und drücken Sie die Nase auf die Arbeitsfläche. Stellen Sie sicher, dass das Werkzeug gerade ist, und drücken Sie dann vorsichtig den Auslöser, um den Befestigungselement einzutreiben.
- Heben Sie das Werkzeug von der Arbeitsfläche ab.

Entfernung eines verklemmten Befestigungselement

HINWEIS: Verklemmte Befestigungselemente müssen entfernt werden, bevor das Werkzeug weiter verwendet wird. Wenn Sie weiterhin versuchen, ein Befestigungselement auszulösen, während das Werkzeug verklemmt ist, könnte der Mechanismus beschädigt werden.

- Trennen Sie das Werkzeug vom Druckluftsystem.
- Entfernen Sie alle unbenutzten Befestigungselemente aus dem Magazinkanal, dies sollte die Verklemmung von Befestigungselemente beseitigen.
- Testen Sie nach dem Entfernen eines verklemmten Befestigungselements immer sorgfältig die Funktion des Werkzeugs, bevor Sie mit der Arbeit fortfahren. Wenn Befestigungselemente häufig verklemmen, lassen Sie das Werkzeug von einem Tacwise Techniker oder einem autorisierten Servicemitarbeiter warten.


Félicitations!

A l'achat de votre outil Tacwise. Votre outil fonctionnera à votre entière satisfaction pendant longtemps s'il est manipulé conformément à nos Consignes de Sécurité et d'Utilisation.

Conserver ce manuel comme référence ultérieure.

Sécurité & Avertissements

AVERTISSEMENT! Avant utilisation, lire attentivement et comprendre toutes les instructions

En ne pas le faisant pourrait provoquer un incendie et/ou des blessures graves. Le terme « outil pneumatique » utilisé dans tous les avertissements répertoriés ci-dessous, fait référence aux outils qui fonctionnent à l'air. Pour toute questions reliée aux consignes de sécurité de cet outil pneumatique, veuillez contacter service@tacwise.com

Déballage

- Retirer soigneusement l'outil pneumatique et les accessoires de l'emballage externe.
- Inspecter soigneusement l'outil pneumatique pour vous assurer qu'aucune casse ou dommage n'est survenu pendant le transport.
- En cas de pièces endommagées ou manquantes, veuillez contacter service@tacwise.com pour obtenir de l'aide. N'utiliser pas cet outil pneumatique avant le remplacement des pièces endommagées ou manquantes. En ne pas le faisant peut entraîner des dommages corporels.
- Bien que tous les efforts aient été faits pour garantir l'exactitude des informations contenues dans ce manuel, la politique de Tacwise est celle d'une amélioration continue de nos produits et, à ce titre, nous réservons le droit de modifier les spécifications du produit sans préavis.

Consignes Générales de Sécurité

Important. Tacwise recommande de ne pas modifier ou utiliser cet outil pneumatique pour toute application autre que celle pour laquelle il a été conçu. Toute altération ou modification de ce type constitue une mauvaise utilisation et pourrait entraîner une situation dangereuse entraînant des blessures corporelles. Si vous n'êtes pas sûr de ses applications relatives, n'hésitez pas à nous contacter et nous vous conseillerons.

Lieu de Travail

- Garder le lieu de travail propre et bien éclairé. Les établis encombrés et le manque de lumière sont propices aux accidents.
- Garder les enfants, les animaux domestiques et tous les spectateurs à une distance sûre du lieu de travail pendant que vous utilisez l'outil.
- Éviter les environnements dangereux. N'utiliser pas d'outils pneumatiques dans des endroits humides ou mouillés et ne les exposer pas à la pluie. Prévoir un espace suffisant autour du lieu de travail. Ne pas utiliser dans des environnements présentant une atmosphère potentiellement explosive, par exemple en présence de liquides, de gaz ou de poussières inflammables; Les outils pneumatiques produisent des étincelles risquant d'enflammer les poussières ou vapeurs.
- Travail sécurisé. Utiliser des pinces ou un étau pour maintenir le travail. Cela libère les deux mains pour faire fonctionner l'outil pneumatique.

Sécurité Personnelle

- Rester vigilant. Surveiller toujours ce que vous faites et faites preuve de bon sens. Ne pas utiliser un outil pneumatique lorsque vous êtes fatigué ou sous l'influence de médicaments, d'alcool ou de drogues.
- Porter une tenue appropriée. Ne porter ni vêtements amples, ni bijoux qui pourraient se prendre dans les pièces mobiles. Des chaussures antidérapantes sont recommandées. Attacher les cheveux longs et retrousser les manches longues au-dessus du coude.
- Ne pas dépasser ou utiliser sur des surfaces instables. Garder toujours une bonne position et un bon équilibre.
- Utiliser un équipement de sécurité. Porter un masque anti-poussière, des chaussures de sécurité antidérapantes, un casque de sécurité et une protection auditive pour les conditions appropriées. Porter des lunettes de sécurité approuvées CE ou UKCA à tout moment. Les lunettes normales n'ont que des verres résistants aux chocs; ce ne sont pas des lunettes de sécurité.

Sécurité des Outils Pneumatiques

- N'utiliser jamais de gaz combustibles oxygénés, de gaz en bouteille ou de gaz comprimé à haute pression comme source d'alimentation pour cet outil. L'outil peut exploser et provoquer des blessures graves.
- Rallonges d'extérieur. Lorsque le compresseur d'air est utilisé à l'extérieur, utiliser uniquement des rallonges à gaine arrondie destinées à une utilisation à l'extérieur. Consulter le manuel du fabricant pour connaître la taille AWG requise pour l'ampérage du compresseur.
- Faire attention au tuyau d'air et à leurs connexions. Ne trébucher pas sur les tuyaux. Assurer que toutes les connexions sont bien serrées.
- Utiliser le connecteur d'air approprié. Le connecteur de l'outil ne doit pas maintenir de pression lorsque l'alimentation en air est débranchée. Si le mauvais raccord est utilisé, l'outil peut être chargé d'air après avoir été déconnecté et être toujours capable d'enfoncer une attache.
- Lors du raccordement de l'air, l'outil peut éventuellement déclencher les attaches dès que vous le branchez au tuyau d'air. Par conséquent, retirer toutes les attaches avant de vous connecter à l'air.
- N'appuyer pas sur la gâchette lors du chargement.
- Si les attaches sont coincées, débrancher l'outil de l'air et retirer les attaches coincées.

Utilisation et Entretien de l'Outil Pneumatique

- Ne forcer pas l'outil pneumatique. Utiliser un outil pneumatique approprié pour le travail. Un outil approprié exécutera le travail mieux et de façon moins dangereuse s'il fonctionne dans les limites prévues.
- Ne pas modifier ni utiliser l'outil pneumatique de manière inappropriée. L'utilisation de l'outil pneumatique pour des opérations différentes de celles prévues peut entraîner une situation dangereuse.
- Ne tirer pas si les attaches sont bloquées. Cela endommagerait la lame d'entraînement et pourrait provoquer des accidents.
- Garder les doigts éloignés de la gâchette jusqu'à ce que vous soyez prêt à enfoncer l'attache.
- N'utiliser pas sur des surfaces dures telles que la roche, le béton, la maçonnerie, les briques ou l'acier. Des blessures corporelles ou des dommages à l'outil pneumatique pourraient en résulter.
- Travail sécurisé. Utiliser des pinces ou d'autres moyens pratiques pour fixer et soutenir la pièce sur une plate-forme stable. Tenir la pièce manuellement ou contre votre corps est dangereux et peut mener à une perte de contrôle.
- Ranger les outils pneumatiques. Lorsqu'ils ne sont pas utilisés, tous les outils pneumatiques doivent être rangés dans un placard sec et verrouillé et hors de portée des enfants et d'autre personne non formée.
- Vérifier les pièces endommagées. Vérifier l'alignement ou la flexion des pièces mobiles, la rupture des pièces et toute autre condition pouvant affecter le fonctionnement des outils pneumatiques. En cas de dommage, arrêter immédiatement de l'utiliser et assurez-vous que l'outil pneumatique est réparé par un agent de service agréé avant de l'utiliser à nouveau. Un mauvais entretien des outils pneumatiques peut entraîner des accidents.
- Entretenir soigneusement les outils pneumatiques.
- Accessoires recommandés. N'utiliser que des accessoires recommandés par le fabricant de votre modèle. Des accessoires qui peuvent convenir à un outil pourraient créer un risque de blessures lorsqu'ils sont utilisés sur un autre outil.
- Garder l'outil pneumatique et sa poignée secs, propres et exempts d'huile et de graisse pour des performances optimales et sûres. Utiliser toujours un chiffon propre lors du nettoyage. N'utiliser jamais de liquide de frein, d'essence, de produits à base de pétrole ou de solvants puissants pour nettoyer votre outil pneumatique. En respectant cette règle, réduira le risque de perte de contrôle et de détérioration du boîtier de l'outil pneumatique.

Consignes de Sécurité Spécifiques

- Partir toujours du principe que l'outil est chargé d'éléments des attaches. Manipuler l'outil sans précaution pourrait entraîner un déclenchement inattendu des fixations et entraîner des blessures.
- Utiliser uniquement les attaches spécifiées dans le manuel. L'utilisation d'accessoires non conçus pour cet outil peut entraîner des blessures corporelles et/ou endommager l'outil pneumatique.
- Ne toucher aucune partie du chargeur ou du nez de l'outil pneumatique pendant le fonctionnement. Tenir l'outil que par sa poignée ou son boîtier.
- N'activer pas l'outil pneumatique à moins qu'il ne soit en contact avec la pièce à travailler. Des blessures graves peuvent survenir si vous appuyez sur le nez de contact de sécurité avec vos doigts ou en cas d'utilisation incorrecte.
- Fixation d'objets fins. Des précautions particulières doivent être prises en cas de pénétration éventuelle à travers des objets minces, car cela pourrait causer des dommages à toute personne ou à tout objet se trouvant derrière la pièce ou dans la zone immédiate.
- N'utiliser jamais l'outil comme un marteau. L'impact soudain pourrait déplacer les composants internes de l'outil pneumatique, ce qui pourrait entraîner une décharge de l'attache et des blessures.
- Ne démonter ni ne bloquer aucune pièce des éléments d'entraînement des attaches.
- Avant chaque opération, vérifier que le mécanisme de sécurité et de déclenchement fonctionne correctement.
- Ne pointer jamais un outil pneumatique vers vous-même ou vers une autre personne. Pendant le travail, tenir l'outil de telle manière à ce qu'aucune blessure ne puisse être causée à la tête ou au corps en cas de recul éventuel.
- Ne tirer jamais l'outil pneumatique dans l'espace libre ou dans l'air. Les attaches peuvent pénétrer dans des pièces minces ou glisser des coins et des bords de la pièce, mettant potentiellement les personnes en danger.
- N'enfoncer pas les attaches sur les autres.
- N'utiliser pas cet outil pour fixer des câbles électrique. Cet outil n'est pas conçu pour l'installation de câbles pneumatique et peut endommager les câbles électriques, ce qui pourrait entraîner des blessures par choc électrique ou des risques d'incendie.
- Attention aux dangers cachés. Assurer toujours qu'il n'y a aucun risque de heurter des câbles électriques, des conduites d'eau ou de gaz cachés. Utiliser des détecteurs appropriés pour déterminer si des lignes électriques, de gaz ou d'eau sont cachées dans le lieu de travail ou appeler votre compagnie d'électricité locale pour obtenir de l'aide.

Entretien Régulière

- Une lubrification fréquente, mais pas excessive, est nécessaire pour obtenir de meilleures performances. L'huile ajoutée via le raccord de la conduite d'air lubrifiera les pièces internes. Un graisseur automatique est recommandé, mais l'huile peut être ajoutée manuellement avant chaque opération ou après environ 1 heure d'utilisation continue. Quelques gouttes d'huile à la fois suffisent. Trop d'huile s'accumulera à l'intérieur de l'outil et sera expulsée pendant le cycle d'échappement. Utiliser uniquement de l'huile pour outils pneumatiques. N'utiliser pas d'huile détergente ou d'additifs, car ces lubrifiants provoqueraient une usure accélérée du joint de l'outil.
- Utiliser une petite quantité d'huile sur toutes les surfaces mobiles et les pivots.
- La saleté et l'eau dans l'alimentation en air sont des causes majeures de l'usure de l'outil pneumatique. Utiliser un filtre/graisseur pour de meilleures performances et une durée de vie plus longue. Le filtre doit avoir une capacité de débit adéquate pour l'application spécifique. Consulter les instructions du fabricant pour un entretien approprié de votre filtre.
- Garder les outils propres pour des performances meilleures et plus sécuritaires. Utiliser des solutions de nettoyage non inflammables uniquement si nécessaire (attention : ces solutions peuvent endommager le joint torique et d'autres pièces de l'outil). Ne pas faire tremper.

Conseils de Produits et Support Technique

Que faire si vous rencontrez un problème avec votre outil pneumatique Tacwise? Envoyer un e-mail à service@tacwise.com

Outils Indésirables

Recycler les matières indésirables au lieu de les jeter comme déchets. Tous les outils et emballages doivent être triés, apportés au centre de recyclage local et éliminés de manière respectueuse de l'environnement. Vous pouvez également envoyer un e-mail à service@tacwise.com pour obtenir des informations sur la manière de vous débarrasser gratuitement et de manière écologique de votre outil pneumatique Tacwise.

Dépannage

Arrêter immédiatement d'utiliser l'outil si l'un des problèmes suivants survient. Des blessures graves pourraient survenir. Toute réparation ou remplacement doit être effectué uniquement par une personne qualifiée ou un centre de service agréé.

| Problème | Origine du Problème | Solution |
|---|--|--|
| Fuite d'air au niveau de la zone de déclenchement | <ol style="list-style-type: none"> 1. Anneau torique de soupape à déclenchement est endommagé. 2. La tête de soupape à déclenchement est endommagée. 3. La tige de la soupape à déclenchement, le joint ou le joint torique est endommagé. | <ol style="list-style-type: none"> 1. Vérifier et remplacer le joint torique. 2. Vérifier et remplacer la tête de soupape à déclenchement. 3. Vérifier et remplacer la tige de la soupape à déclenchement, le joint ou le joint torique. |
| Fuite d'air entre le corps et la plaque frontale | <ol style="list-style-type: none"> 1. Endommagement du joint torique ou de l'amortisseur. | <ol style="list-style-type: none"> 1. Vérifier et remplacer le joint torique ou l'amortisseur. |
| Fuite d'air entre le corps et le bouchon du cylindre | <ol style="list-style-type: none"> 1. Vis desserrée. 2. Joint endommagé. | <ol style="list-style-type: none"> 1. Serrer les vis. 2. Vérifier et remplacer le joint. |
| Lame enfonçant la attache trop profondément | <ol style="list-style-type: none"> 1. Amortisseur usé. 2. La pression de l'air est trop élevée. | <ol style="list-style-type: none"> 1. Remplacer l'amortisseur. 2. Ajuster la pression de l'air |
| Fonctionne lentement ou présente une perte de puissance | <ol style="list-style-type: none"> 1. Huile insuffisante. 2. Alimentation en air insuffisante. 3. Ressort cassé dans le cylindre. 4. L'orifice d'échappement du capuchon du cylindre est bloqué. | <ol style="list-style-type: none"> 1. Lubrifier comme indiqué. 2. Vérifier l'alimentation en air. 3. Remplacer le ressort. 4. Remplacer les pièces internes endommagées. |
| L'outil saute une attache | <ol style="list-style-type: none"> 1. Amortisseur usé ou ressort endommagé. 2. Saleté sur la plaque frontale. 3. Débit d'air insuffisant vers l'outil. 4. Joint torique usé ou sec sur le piston. 5. Joint torique endommagé sur le soupape à déclenchement. 6. Fuite du joint du bouchon du cylindre. | <ol style="list-style-type: none"> 1. Remplacer l'amortisseur ou les ressorts. 2. Nettoyer le canal d'entraînement de la plaque frontale. 3. Vérifier les raccords du tuyau et du compresseur. 4. Remplacer le joint torique ou lubrifier. 5. Remplacer le joint torique. 6. Remplacer le joint. |

| | | |
|--|---|--|
| Les attaches sont coincées | <ol style="list-style-type: none"> 1. Le joint de guidage est usé. 2. Les attaches ne sont pas de la bonne taille ou sont endommagées. 3. Les vis du chargeur ou de la plaque frontale sont desserrées. 4. La lame de l'ensemble à piston est endommagée. | <ol style="list-style-type: none"> 1. Remplacer le joint de guidage. 2. Utiliser les attaches recommandées et non endommagées. 3. Serrer les vis. 4. Remplacer l'ensemble à piston |
| L'outil n'enfoncé pas complètement l'attache | <ol style="list-style-type: none"> 1. La lame dans l'ensemble à piston est usée. 2. Manque de puissance. 3. Cycle lent et perte de puissance | <ol style="list-style-type: none"> 1. Remplacer l'ensemble à piston. 2. Ajuster a pression d'air au niveau adéquat. 3. Vérifier que le ressort du capuchon du cylindre ne présente pas de bobines cassées ou de longueur réduite. Vérifier si l'orifice d'échappement du cylindre est bloqué. |

Garantie

Tous les outils pneumatiques de Tacwise sont soigneusement vérifiés, testés et soumis aux contrôles rigoureux de l'assurance qualité. Tacwise offre donc la garantie suivante pour les outils pneumatiques Tacwise. Votre droit à la garantie fondé sur votre contrat de vente avec le détaillant, y compris vos droits légaux, ne sera pas affecté par cette garantie.

Garantie d'Un Mois

Si vous n'êtes pas entièrement satisfait des performances de votre outil pneumatique Tacwise ou s'il est défectueux ou endommagé lors de l'achat, nous échangerons le produit ou vous rembourserons intégralement dans les 28 jours suivant l'achat. Une preuve d'achat doit être présentée avec un reçu original et l'outil doit être retourné complet tel qu'acheté au point d'achat. Cela n'affecte pas vos droits légaux.

Garantie Standard d'Un An de l'Outil

Si votre outil pneumatique Tacwise devient défectueux en raison de matériaux ou de fabrication défectueuse dans les 12 mois suivant la date d'achat, nous garantissons le remplacement gratuit de toutes les pièces défectueuses ou, à notre discrétion, le remplacement gratuit de l'outil. Cependant, cette garantie d'un an ne couvre pas les pièces consommables telles que les mandrins, les joints toriques, les ressorts, etc.

Garantie Standard de 6 Mois sur les Pièces Consommables

Les outils pneumatiques Tacwise et toutes leurs pièces consommables d'origine sont garantis contre tout défaut pendant 6 mois à compter de la date d'achat. Aucune de ces garanties ne couvre:

- Les outils ayant reçu des modifications ou des ajouts non autorisés.
- Les défauts causés par l'utilisation d'accessoires, de composants ou de pièces de rechange autres que les accessoires ou pièces Tacwise approuvés/authentiques.
- Pièces détachées soumises à une usure naturelle provoquée par une utilisation conforme à nos instructions d'utilisation.
- Défauts de l'outil causés par une utilisation incorrecte, des conditions environnementales anormales ou des conditions de fonctionnement inappropriées, le non-respect de nos instructions d'utilisation ou un entretien ou une maintenance insuffisants.
- Une preuve d'achat doit être présentée avec un reçu original.

Mode d'Emploi

Données techniques

| Caractéristique | Valeur |
|---|---------------------------------|
| Type de modèle | A7116LN |
| Type d'agrafes | Tacwise agrafes de type 71 |
| Longueur d'agrafe | 4 mm – 16 mm |
| Capacité du chargeur | 180 |
| Pression d'air minimale de fonctionnement | 60 psi / 4,14 bar |
| Pression d'air en fonctionnement maximal | 100 psi / 6,89 bar |
| Entrée d'air | 1/4" (6 mm) NPT |
| Consommation d'air | 0,8 pi³/min @ 90 psi / 6,20 bar |
| Poids | 1,1 kg |
| Niveau d'émission de vibrations* | 1,63 m/s² |

* Le niveau d'émission de vibrations déclaré représente les principaux applications de l'outil. Toutefois, l'émission de vibrations peut varier selon les cas d'utilisation, avec différents accessoires ou un mauvais entretien. Ceci peut accroître considérablement le niveau d'exposition lors du fonctionnement de l'outil.

Déclaration de conformité
A7116LN


Cet outil a été conçu conformément aux réglementations et normes des directives européennes.
Département de Qualité, Tacwise PLC - Royaume-Uni.

Caractéristiques (Fig. A)

1. Gâchette
2. Bouchon à dégagement rapide (raccord Euro)
3. Levier de déverrouillage du chargeur
4. Chargeur

Mise en place

Votre outil pneumatique est entièrement assemblé lorsque vous le recevez. Avant de l'utiliser, fixer la conduite d'air et les accessoires du système d'air souhaités. Voir la Fig. B pour les accessoires recommandés et l'ordre de raccordement. Assurer que le tuyau d'air est dépressurisé lors de l'installation ou du retrait des adaptateurs sur la conduite d'air.

Raccordement de l'outil à une alimentation en air (Fig. B)

- Vérifier si l'outil a besoin d'huile et, si nécessaire, déposer deux gouttes d'huile dans le bouchon d'air comme illustré à la Fig. B. Si vous utilisez un graisseur automatique, vérifier et ajouter de l'huile.
- Allumer le compresseur et régler le régulateur sur la pression appropriée à la taille et au type de fixation utilisée.
- Raccorder l'outil à l'alimentation en air.

Chargement des attaches (Fig. C)

- Maintenir l'outil avec le chargeur vers le haut.
- Appuyez sur le levier de déverrouillage du chargeur pour libérer le chargeur.
- Sortir la partie amovible du chargeur.
- Placer une bande d'attaches (avec les jambes vers le haut) dans le canal du chargeur.
- Faire glisser le chargeur pour le fermer jusqu'à ce que le levier de déverrouillage du chargeur s'enclenche.

REMARQUE: Nous vous recommandons fortement d'utiliser exclusivement les agrafes Tacwise approuvées/authentiques.

Utilisation de l'outil

- Raccorder l'outil à l'alimentation en air. Assurer que la pression d'air corresponde à la pression indiquée sous la section Données techniques.
- Charger les attaches comme indiqué dans la section intitulée Chargement des attaches.
- Tenir le corps de l'outil et appuyer le nez sur la surface de travail, assurer que l'outil est droit, puis appuyer doucement sur la gâchette pour enfoncer l'attache.
- Retirez l'outil de la surface de travail.

Retirer une attache coincée

REMARQUE: Vous devez retirer toutes les attaches coincées avant de réutiliser l'outil. Si vous continuez d'essayer de tirer une attache alors que l'outil est coincé, vous risquez endommager le mécanisme.

- Débrancher l'outil du système d'air comprimé.
- Retirer toutes les attaches non utilisées du canal du chargeur; cela devrait dégager les attaches coincées.
- Après avoir retiré une attache coincée, tester toujours soigneusement le fonctionnement de l'outil avant de procéder à tout travail. Si les attaches se coincent régulièrement, faire entretenir l'outil par un ingénieur Tacwise ou un agent de service désigné.


¡Felicitaciones!

Por la compra de su herramienta Tacwise. Su herramienta funcionará correctamente durante mucho tiempo si se utiliza de acuerdo con nuestras instrucciones de seguridad y funcionamiento.

Guarde este manual para consultas futuras.

Advertencias y Precauciones

¡ADVERTENCIA! Lea detenidamente y comprenda todas las instrucciones antes de usar la herramienta

El no acatar las instrucciones que aparecen a continuación puede resultar en descargas eléctricas, incendio y/o lesiones graves. El término "herramienta neumática" o "herramienta" en todas las advertencias enumeradas a continuación se refiere a herramientas neumáticas. Para cualquier consulta relativa a cuestiones de seguridad, envíe un correo electrónico a service@tacwise.com

Desembalaje

- Retire cuidadosamente la herramienta y los accesorios del embalaje exterior.
- Inspeccione la herramienta cuidadosamente para asegurarse de que no se hayan producido roturas ni daños durante el transporte.
- Si alguna pieza está dañada o falta, envíe un correo electrónico a service@tacwise.com para solicitar asistencia. Reemplace las piezas que faltan o están dañadas antes de volver a usar la herramienta. No hacerlo puede resultar en lesiones graves.
- Aunque hemos hecho todo lo posible para garantizar la exactitud de la información de este manual, la política de Tacwise es de mejorar continuamente nuestros productos y, como tal, nos reservamos el derecho de cambiar la especificación del producto sin previo aviso.

Instrucciones Generales de Seguridad

Importante. Tacwise aconseja que esta herramienta no se modifique ni se utilice para aplicaciones distintas a aquellas para las que fue proyectada. Cualquier alteración o modificación se considera un uso incorrecto y puede dar lugar a situaciones peligrosas y causar lesiones. Si no está seguro del uso de esta herramienta no dude en contactarnos y lo asesoraremos.

Área de trabajo

- Mantenga la zona de trabajo limpia y bien iluminada. Áreas desordenadas y zonas oscuras propician los accidentes.
- Mantenga a los niños, las mascotas y espectadores a una distancia segura del área de trabajo mientras utiliza la herramienta.
- Evite los entornos peligrosos. No utilice herramientas neumáticas en lugares húmedos o mojados, ni las exponga a la lluvia. Proporcione un espacio adecuado alrededor del área de trabajo. No use la herramienta en ambientes potencialmente explosivos, como en presencia de líquidos inflamables, gases o polvo. Las herramientas producen chispas que pueden incendiar el polvo o los vapores.
- Asegure el trabajo. Utilice abrazaderas o una morsa para sujetar la pieza de trabajo. Esto libera las manos para sujetar la herramienta.

Seguridad Personal

- Manténgase alerta. Observe siempre lo que está haciendo y use el sentido común. No opere una herramienta cuando esté cansado o bajo la influencia de medicamentos, alcohol o drogas.
- Use ropa adecuada. No use ropa suelta o joyas que puedan engancharse en las partes móviles de la herramienta. Se recomienda usar calzado antideslizante. Recójase el cabello largo y súbase las mangas largas por encima del codo.
- No sobre alcance ni use superficies inestables. Mantenga la postura y el equilibrio en todo momento.
- Utilice equipo de seguridad. Mascarillas anti-polvo, zapatos de seguridad antideslizantes, casco y protección auditiva deben utilizarse en condiciones adecuadas. Use en todo momento gafas de seguridad con aprobación CE o UKCA. Las gafas normales tienen lentes resistentes al impacto. NO son gafas de seguridad.

Seguridad de las Herramientas Neumáticas

- Nunca utilice gases combustibles con oxígeno, gases embotellados o gases comprimidos ad alta presión como fuente de energía para esta herramienta. La herramienta podría explotar y causar graves daños.
- Cable alargador para exteriores. Cuando use el compresor de aire en el exterior, use solo cables alargadores con protección para exteriores. Consulte el manual del fabricante para conocer el AWG necesario para el amperaje del compresor.
- Preste atención al tubo de aire y sus conexiones. No tropiece con las mangueras. Asegúrese de que todas las conexiones estén apretadas.
- Use el conector de aire adecuado. El conector no debe retener la presión cuando se desconecta el suministro de aire. Si se utiliza un conector incorrecto, la herramienta puede permanecer presurizada después de su desconexión y puede aun disparar una fijación.
- Al conectar el aire, es posible que la herramienta dispare los sujetadores tan pronto como la conecte a la manguera de aire. Por tanto, retire todas las fijaciones antes de conectar el aire.
- No apriete el gatillo cuando cargue.
- Si las fijaciones están atascadas, desconecte la herramienta del aire y retire las fijaciones atascadas.

Uso y Cuidado de la Herramienta

- No fuerce la herramienta neumática. Utilice la herramienta adecuada al tipo de trabajo. Hará el trabajo mejor y de manera mas segura si usa la herramienta a la velocidad para la cual fue proyectada.
- No modifique ni haga un mal uso de la herramienta neumática. El uso de la herramienta para aplicaciones diferentes a las previstas puede crear una situación peligrosa.
- No use la herramienta si hay fijaciones atascadas. Esto puede causar daños a la cuchilla impulsora y puede provocar accidentes.
- Mantenga los dedos alejados del gatillo hasta que esté listo para accionar las fijaciones.
- No utilice la herramienta en superficies duras como rocas, hormigón, mampostería, ladrillo o acero. Pueden producirse lesiones personales o daños a la herramienta.
- Asegure el trabajo. Utilice abrazaderas o una morsa para asegurar la pieza de trabajo a una superficie estable. Sujetar el trabajo con la mano o contra su cuerpo es inestable y puede provocar la pérdida de control.
- Guardado de la herramienta. Cuando no estén en uso, todas las herramientas deben guardarse en un armario sin humedad, bajo llave y fuera del alcance de niños y personas no cualificadas.
- Compruebe si hay piezas dañadas. Compruebe si hay desalineamiento o flexión en las piezas móviles, piezas rotas y cualquier otra condición que pueda afectar al funcionamiento de la herramienta. Si la herramienta está dañada deje de usarla inmediatamente y asegúrese de repararla en un centro de servicio autorizado antes de volver a utilizarla. Las herramientas que han recibido un mantenimiento inadecuado pueden provocar accidentes.
- Realice un mantenimiento adecuado de las herramientas neumáticas.
- Accesorios recomendados. Solo utilice accesorios recomendados por el fabricante para su modelo. Accesorios adecuados para una herramienta pueden generar lesiones si se utilizan en una herramienta distinta.
- Mantenga la herramienta y su mango secos, limpios y libres de aceite y grasa para un mejor y más seguro rendimiento. Utilice siempre un paño limpio para limpiar la herramienta. Nunca use líquido de frenos, gasolina, productos a base de petróleo ni solventes fuertes para limpiar su herramienta. Seguir esta regla reducirá el riesgo de pérdida de control y el deterioro del cuerpo de la herramienta.

Instrucciones específicas de seguridad

- Siempre asuma que la herramienta está cargada con fijaciones. Manejar la herramienta sin cuidado podría provocar un disparo inesperado de las fijaciones y provocar lesiones personales.
- Use solo las fijaciones indicadas en el manual. El uso de accesorios no proyectados para esta herramienta podría resultar en lesiones personales y/o daños a la herramienta.
- Durante el funcionamiento no toque ninguna parte del cargador o de la punta de la herramienta. Sostenga la herramienta solo por la empuñadura o el cuerpo.
- No active la herramienta a menos que esté en contacto con la pieza de trabajo. Se pueden producir lesiones graves si presiona la punta de contacto de seguridad con los dedos o si la utiliza incorrectamente.
- Fijación de objetos de poco espesor. Se debe prestar especial atención con la posible penetración a través de objetos delgados, ya que se pueden causar daños a personas o cosas que se encuentran detrás de la pieza de trabajo o en zonas próximas.
- Nunca utilice la herramienta como martillo. El impacto repentino puede desplazar los componentes internos de la herramienta provocando la descarga de fijaciones y lesiones.
- No desmonte ni bloquee ninguna pieza del mecanismo impulsor.
- Antes de cada operación, verifique que el seguro y el mecanismo de disparo estén funcionando correctamente.
- Nunca apunte una herramienta hacia sí mismo ni hacia ninguna otra persona. Durante el uso, sujete la herramienta de tal manera que no se produzcan lesiones en la cabeza o en el cuerpo en caso de posible retroceso.
- Nunca dispare la herramienta al aire. Las fijaciones pueden penetrar piezas de trabajo delgadas o deslizarse por las esquinas y los bordes de la pieza de trabajo, lo que puede poner a riesgo las personas.
- No dispare fijaciones una encima de la otra.
- No utilice esta herramienta para sujetar cables eléctricos. Esta herramienta no está proyectada para la instalación de cableado eléctrico y puede dañar los cables y causar lesiones por descarga eléctrica o riesgos de incendio.
- Tenga cuidado con los riesgos ocultos. Asegúrese siempre que no haya riesgo de interferir con cables de alimentación ocultos, tuberías de agua o gas. Utilice detectores adecuados para determinar si hay algún servicio (electricidad, gas o agua) oculto en el área de trabajo o llame a las compañías de servicios para solicitar asistencia.

Mantenimiento regular

- Para obtener un mejor rendimiento, es necesario una lubricación frecuente pero no excesiva. El aceite agregado a través de la conexión de la línea lubricará las partes internas. Aunque puede añadirse aceite manualmente antes de cada uso o después de 1 hora de uso continuo, se recomienda usar un lubricador automático. Solo son necesarias unas gotas de aceite cada vez. Una cantidad excesiva de aceite se acumulará dentro de la herramienta y se expulsará durante el ciclo de eyección. Use solo aceite para herramientas neumáticas. No use aceite detergente ni aditivos, ya que estos lubricantes aceleran el desgaste del sello de la herramienta.
- Use una pequeña cantidad de aceite en todas las superficies móviles y pivotes.
- Suciedad y agua en el suministro de aire son las causas principales de desgaste de la herramienta neumática. Utilice un filtro/lubricador para mejor rendimiento y un vida útil prolongada. El filtro debe ser capaz de admitir un caudal adecuado a la aplicación. Consulte las instrucciones del fabricante para un adecuado mantenimiento del filtro.
- Mantenga las herramientas limpias para un rendimiento mejor y más seguro. Utilice soluciones de limpieza no inflamables sólo si es necesario (precaución: estas soluciones pueden dañar la junta tórica y otras piezas de la herramienta). No remojar.

Asesoramiento sobre el producto y asistencia técnica

¿Qué hacer si tiene un problema con su herramienta Tacwise? Envíe un correo electrónico a service@tacwise.com

Reciclo de Herramientas

Recicle los materiales no deseados en lugar de tirarlos como basura. Todas las herramientas y envoltorios deben separarse, llevarse al centro de reciclaje local y eliminarse respetando el medio ambiente. Alternativamente, puede enviar un correo electrónico a service@tacwise.com para obtener más información sobre cómo eliminar su herramienta Tacwise de forma gratuita respetando el medio ambiente.

Solución de problemas

Deje de utilizar la herramienta inmediatamente si se produce uno de los siguientes problemas. Podrían producirse graves lesiones personales. Cualquier reparación o sustitución debe ser realizada solo por personal calificado o en un servicio técnico autorizado.

| Problema | Causa del problema | Solución |
|---|---|--|
| Fuga de aire en la zona del gatillo | <ol style="list-style-type: none"> 1. La junta tórica de la válvula de disparo está dañada. 2. El cabezal de la válvula de disparo está dañado. 3. El vástago de la válvula de activación, el sello o la junta tórica están dañados. | <ol style="list-style-type: none"> 1. Controle y sustituya la junta tórica. 2. Controle y sustituya el cabezal de la válvula de disparo. 3. Verifique y reemplace el vástago de la válvula del gatillo, el sello o la junta tórica. |
| Fuga de aire entre el cuerpo y la placa frontal | <ol style="list-style-type: none"> 1. Junta tórica o tope del pistón dañados. | <ol style="list-style-type: none"> 1. Compruebe y sustituya la junta tórica o el tope. |
| Fuga de aire entre el cuerpo y la tapa del cilindro | <ol style="list-style-type: none"> 1. Tornillo suelto. 2. Sello dañado. | <ol style="list-style-type: none"> 1. Apriete los tornillos. 2. Compruebe y sustituya el sello. |
| La cuchilla impulsora empuja la fijación demasiado en profundidad | <ol style="list-style-type: none"> 1. Tope gastado. 2. La presión del aire es demasiado alta. | <ol style="list-style-type: none"> 1. Sustituya el tope. 2. Ajuste la presión del aire |
| Funciona lentamente o pierde potencia | <ol style="list-style-type: none"> 1. Aceite insuficiente. 2. Suministro de aire insuficiente. 3. Muelle roto en la tapa del cilindro. 4. El escape en la tapa del cilindro está bloqueado. | <ol style="list-style-type: none"> 1. Lubrique según las instrucciones. 2. Compruebe el suministro de aire. 3. Sustituya el muelle. 4. Sustituya las partes internas dañadas. |
| La herramienta pasa por alto una fijación | <ol style="list-style-type: none"> 1. Tope gastado o muelle dañado. 2. Suciedad en la placa frontal. 3. Flujo de aire inadecuado hacia la herramienta. 4. Embolo del pistón gastado o seco. 5. Junta tórica dañada en la válvula de disparo. 6. Fuga en el sello de la tapa del cilindro. | <ol style="list-style-type: none"> 1. Sustituya el tope o el muelle de empuje. 2. Limpie el canal impulsor de la placa frontal. 3. Compruebe la manguera y los accesorios del compresor. 4. Sustituya la junta tórica o lubrique. 5. Sustituya la junta tórica. 6. Sustituya el sello. |
| Las fijaciones se han atascado | <ol style="list-style-type: none"> 1. Junta guía gastada. 2. Las fijaciones tienen un tamaño erróneo o están dañadas. 3. El cargador o los tornillos de la placa frontal están flojos. 4. La guía del conjunto del pistón está dañada. | <ol style="list-style-type: none"> 1. Sustituya la junta guía. 2. Utilice las fijaciones recomendadas y en buenas condiciones. 3. Apriete los tornillos. 4. Sustituya el conjunto del pistón |

| | | |
|---|---|---|
| La herramienta no acciona completamente la fijación | <ol style="list-style-type: none"> 1. Guía desgastada en el conjunto del pistón. 2. Falta de potencia. 3. Funcionamiento lento y pérdida de potencia | <ol style="list-style-type: none"> 1. Sustituya el conjunto del pistón. 2. Ajuste a la presión de aire adecuada. 3. Revise si el resorte de la tapa del cilindro está roto o tiene una longitud reducida. Compruebe si el escape de la tapa del cilindro está obstruido. |
|---|---|---|

Garantía

Todas las herramientas Tacwise se revisan y prueban cuidadosamente y están sujetas a estrictos controles de calidad. Por lo tanto, Tacwise ofrece la siguiente garantía para sus herramientas neumáticas. El reclamo de garantía basado en su contrato de venta con el minorista, incluidos sus derechos legales, no se verá afectado por esta garantía.

Garantía de un mes

Si no está completamente satisfecho con el rendimiento de su herramienta Tacwise, o si es defectuosa o estaba dañada al momento de la compra, cambiaremos el producto o emitiremos un reembolso completo dentro de los 28 días posteriores a la compra. Debe entregarse un justificante de compra con un recibo original y la herramienta debe devolverse completa tal y como se compró. Esto no afecta sus derechos legales.

Garantía estándar de un año para la herramienta

Si su herramienta neumática Tacwise resultara defectuosa debido a materiales o mano de obra defectuosos en un plazo de 12 meses a partir de la fecha de compra, le garantizamos la sustitución gratuita de todas las piezas defectuosas o, a nuestra discreción, la sustitución de la herramienta. Sin embargo, esta garantía de un año no cubre las piezas consumibles como cuchillas impulsoras, juntas tóricas, resortes, etc.

Garantía estándar de 6 meses para piezas consumibles

Las herramientas neumáticas Tacwise con todas sus piezas consumibles originales están garantizadas contra defectos durante 6 meses a partir de la fecha de compra. Ninguna de estas garantías cubre:

- Herramientas que se hayan modificado sin autorización o a las que se les haya añadido elementos no autorizados.
- Defectos causados por el uso de accesorios, componentes o repuestos que no son accesorios o partes originales o autorizadas Tacwise.
- Componentes sujetos a desgaste natural causado por un uso de acuerdo con nuestras instrucciones de uso.
- Defectos en la herramienta causados por uso inadecuado, condiciones ambientales anormales o condiciones de funcionamiento inadecuadas, incumplimiento de nuestro manual de instrucciones o mantenimiento insuficiente.
- Debe entregarse un justificante de compra junto con un recibo original.

Manual del operador

Información técnica

| Características | Valor |
|--|-----------------------------|
| Tipo de modelo | A7116LN |
| Tipo de grapa | Tacwise grapas tipo 71 |
| Longitud de la grapa | 4 mm – 16 mm |
| Capacidad del cargador | 180 |
| Presión neumática mínima de funcionamiento | 60 psi / 4,14 bar |
| Presión neumática máxima de funcionamiento | 100 psi / 6,89 bar |
| Entrada de aire | 1/4" (6 mm) NPT |
| Consumo de aire | 0,8 CFM @ 90 psi / 6,20 bar |
| Peso | 1,1 kg |
| Nivel de vibraciones* | 1,63 m/s ² |

* El nivel de vibraciones declarado corresponde a las principales aplicaciones de la herramienta. Si la herramienta se utiliza para otras aplicaciones, con accesorios diferentes o con un mantenimiento deficiente, la emisión de vibraciones puede diferir. Esto puede aumentar significativamente el nivel de exposición durante el período de uso.

Declaración de Conformidad
A7116LN


Esta herramienta ha sido diseñada conforme a los Reglamentos y Normas de las Directivas Europeas.
Departamento de Calidad, Tacwise Group Plc – Reino Unido.

Características (Fig. A)

1. Gatillo
2. Acople con liberación rápida (europeo)
3. Palanca de liberación del cargador
4. Cargador

Configuración

Su herramienta neumática está completamente ensamblada cuando la recibe. Antes de utilizar la herramienta, conecte la línea de aire y los accesorios del sistema de aire deseados. La Fig. B muestra los accesorios recomendados y su orden de conexión. Asegúrese de que la manguera de aire esté despresurizada antes de poner o sacar adaptadores en la línea de aire.

Conectar la herramienta al suministro de aire (Fig. B)

- Controle si la herramienta necesita aceite, y coloque dos gotas de aceite en el acople como se indica en la Fig. B. Si usa un lubricador automático controle, y si es necesario, añada aceite.
- Encienda el compresor y gradúe el regulador a la presión correcta para el tamaño y el tipo de sujetadores que desea utilizar.
- Conecte la herramienta al suministro de aire.

Carga de los sujetadores (Fig. C)

- Sostenga la herramienta con el cargador hacia arriba.
- Presione la palanca de liberación del cargador para desengancharlo.

- Extraiga el cargador.
 - Coloque una tira de sujetadores (con las puntas hacia arriba) en el canal del cargador.
 - Deslice el cargador para cerrarlo hasta que la palanca de liberación del cargador haga clic.
- NOTA: Le recomendamos encarecidamente que utilice sólo grapas Tacwise aprobadas/genuinas.

Uso de la Herramienta

- Conecte la herramienta al suministro de aire. Asegúrese que la presión del aire esté en el rango correcto indicado en el apartado Datos Técnicos.
- Cargue los sujetadores según se indica en el apartado Carga de los sujetadores.
- Sujete el cuerpo de la herramienta y presione la punta sobre la superficie de trabajo, asegúrese que la herramienta esté derecha y apriete suavemente el gatillo para colocar el sujetador.
- Alce la herramienta de la superficie de trabajo.

Desatascar sujetadores bloqueados

NOTA: Siempre quite todos los sujetadores atascados antes de volver a utilizar la herramienta. Si sigue utilizando la herramienta cuando está atascada puede dañar el mecanismo.

- Desconecte la herramienta del sistema de aire comprimido.
- Saque todos los sujetadores inutilizados del canal del cargador; esto debería despejar los sujetadores atascados.
- Después de haber quitado un sujetador atascado, comprobar que la herramienta funcione correctamente antes de volver a utilizarla. Si los sujetadores se atascan frecuentemente, haga que un técnico Tacwise o un servicio técnico autorizado repare la herramienta.


Complimenti!

Per l'acquisto di questo apparecchio Tacwise. Questo apparecchio è in grado di offrire prestazioni soddisfacenti per un lungo periodo se utilizzato in maniera conforme alle indicazioni di sicurezza e istruzioni di funzionamento.

Conservare il presente manuale per futura consultazione.

Avvertenze e Precauzioni

AVVERTENZA! Leggere attentamente le istruzioni prima di utilizzare l'apparecchio

La mancata osservanza delle indicazioni riportate potrebbe dar luogo a scosse elettriche, incendi e/o gravi infortuni. In tutte le avvertenze elencate di seguito il termine "apparecchio pneumatico" o "apparecchio" si riferisce agli utensili pneumatici. Per qualsiasi domanda relativa alla sicurezza del presente apparecchio si prega di scrivere all'indirizzo service@tacwise.com

Disimballaggio

- Rimuovere con cautela l'apparecchio pneumatico e gli accessori dalla confezione.
- Controllare l'apparecchio con attenzione per assicurarsi che non si siano verificati danni durante il trasporto.
- In caso di componenti mancanti o danneggiati, scrivere all'indirizzo di posta elettronica service@tacwise.com per richiedere assistenza. Non utilizzare questo apparecchio fino a quando le parti mancanti o danneggiate non siano state sostituite. La mancata osservanza di questa indicazione potrebbe dar luogo a infortuni.
- Sebbene sia stato compiuto ogni sforzo per garantire l'accuratezza delle informazioni contenute in questo manuale, la politica Tacwise prevede il miglioramento continuo dei nostri prodotti e per questo ci riserviamo il diritto di modificare le specifiche del prodotto senza preavviso.

Istruzioni Generali sulla Sicurezza

Importante. Tacwise raccomanda di non modificare o utilizzare questo apparecchio per applicazioni diverse da quelle per cui è stato progettato. Qualsiasi alterazione o modifica è considerata uso improprio e può portare a situazioni pericolose e causare lesioni. In caso di dubbio sulle possibili applicazioni, raccomandiamo di contattarci per chiedere assistenza.

Area di lavoro

- Mantenere l'area di lavoro pulita e ben illuminata. Aree non illuminate e banchi da lavoro ingombri favoriscono gli incidenti.
- Tenere i bambini, gli animali domestici e tutti gli astanti a distanza di sicurezza dall'area di lavoro durante l'uso dell'utensile.
- Evitare ambienti pericolosi. Non utilizzare apparecchi pneumatici in luoghi umidi o bagnati o sotto la pioggia. Fornire uno spazio adeguato intorno all'area di lavoro. Non utilizzare l'apparecchio in ambienti con atmosfera potenzialmente esplosiva, ovvero in presenza di liquidi, gas o polveri infiammabili; gli apparecchi generano scintille che possono incendiare la polvere o le esalazioni.
- Fissare il lavoro. Utilizzare morsetti o una morsa per fissare il lavoro. In questo modo sarà possibile utilizzare l'apparecchio con entrambe le mani.

Sicurezza Personale

- Stare attenti. Osservare sempre cosa si sta facendo e fare appello al buonsenso. Non utilizzare l'apparecchio quando si è stanchi o sotto l'influenza di farmaci, alcol o stupefacenti.
- Indossare un abbigliamento adeguato. Non indossare abiti larghi o gioielli che possano impigliarsi nelle parti in movimento. Si raccomanda inoltre di utilizzare calzature antiscivolo. Raccogliere i capelli lunghi e rimboccare le maniche degli indumenti fino a sopra il gomito.
- Non utilizzare l'apparecchio su superfici instabili o a un'altezza difficile da raggiungere. Tenere i piedi saldamente appoggiati e mantenere l'equilibrio.
- Utilizzare dispositivi di sicurezza. Indossare mascherina antipolvere, calzature di sicurezza antiscivolo, casco e protezione auricolare a seconda delle situazioni. Indossare sempre occhiali di sicurezza omologati CE o UKCA. Gli occhiali normali sono solo equipaggiati con lenti resistenti agli urti e non sono considerati occhiali di sicurezza.

Sicurezza degli Apparecchi Pneumatici

- Non utilizzare gas combustibili che reagiscono a contatto con l'ossigeno, gas in bombole o gas compressi ad alta pressione come fonte d'alimentazione per l'apparecchio. Il dispositivo potrebbe esplodere e provocare seri infortuni.
- Utilizzo di prolunghe. Quando il compressore d'aria viene utilizzato all'aperto, utilizzare solo prolunghe a guaina arrotondata destinate all'uso esterno. Consultare il manuale del produttore per ottenere i requisiti di sezione/diametro (AWG) richiesti in base all'assorbimento di potenza del compressore.
- Prestare attenzione ai tubi dell'aria e ai rispettivi raccordi. Attenzione a non inciampare sui tubi. Assicurarsi che tutte le connessioni siano ben salde.
- Utilizzare il connettore d'aria corretto. Il connettore dell'apparecchio non deve trattenerne la pressione quando l'alimentazione d'aria è scollegata. Se vengono usati accessori non idonei, l'apparecchio potrebbe trattenerne aria al suo interno una volta scollegato, ed essere in grado di sparare un elemento di fissaggio.
- L'apparecchio potrebbe sparare elementi di fissaggio appena effettuato l'attacco al tubo dell'aria. Pertanto, rimuovere tutti gli elementi di fissaggio prima del collegamento all'aria.
- Non premere il grilletto durante il caricamento.
- Se gli elementi di fissaggio sono inceppati, scollegare l'utensile dall'aria e rimuovere gli elementi di fissaggio inceppati.

Utilizzo e Cura dell'apparecchio

- Non forzare l'apparecchio pneumatico. Utilizzare l'apparecchio adatto in base all'applicazione. Svolgerà il suo compito meglio e in modo più sicuro alla velocità per cui è stato progettato.
- Non apportare modifiche o utilizzare l'apparecchio in modo improprio. L'uso dell'apparecchio per applicazioni diverse da quelle previste potrebbe dar luogo a situazioni di pericolo.
- Non sparare se i dispositivi di fissaggio sono inceppati. Ciò rischia di danneggiare la lama di trasmissione e favorire incidenti.
- Tenere le dita lontane dal grilletto finché non si è pronti a inserire gli elementi di fissaggio.
- Non utilizzare su superfici dure come roccia, cemento, muratura, mattoni o acciaio. Ciò potrebbe causare lesioni personali o danneggiare l'apparecchio.
- Fissare il lavoro. Utilizzare morsetti o altri metodi per fissare e sostenere il pezzo in lavorazione su una superficie stabile. Tenere il pezzo da lavorare in mano o contro il proprio corpo è instabile e può portare alla perdita del controllo.
- Conservazione dell'apparecchio. Quando non in uso, gli apparecchi devono essere riposti in un armadio privo di umidità, chiuso a chiave e fuori dalla portata dei bambini e di persone non qualificate.
- Verificare la presenza di parti danneggiate. Verificare la presenza di eventuali disallineamenti o torsioni delle parti mobili, componenti rotti o altre condizioni che potrebbero influenzare il corretto funzionamento dell'apparecchio. Se l'apparecchio è danneggiato, interrompere immediatamente l'uso e assicurarsi che venga riparato in un centro di assistenza autorizzato prima di utilizzarlo nuovamente. L'utilizzo di apparecchi sottoposti a manutenzione insufficiente può dar luogo a incidenti.
- Sottoporre gli apparecchi pneumatici a una manutenzione accurata.
- Accessori consigliati. Utilizzare esclusivamente accessori consigliati dal produttore per il suo modello. Gli accessori adatti a un determinato apparecchio potrebbero accrescere il rischio di infortunio se utilizzati su un apparecchio diverso.
- Per garantire le migliori e più sicure prestazioni mantenere l'apparecchio e il suo manico asciutti, puliti e privi di residui di olio e lubrificante. Durante la pulizia, utilizzare sempre un panno pulito. Non utilizzare in nessuna circostanza liquido di freni, benzina, prodotti derivati dal petrolio o solventi forti per la pulizia dell'apparecchio. L'osservanza di queste indicazioni ridurrà il rischio di perdita di controllo e il deterioramento del corpo dell'apparecchio.

Istruzioni specifiche di sicurezza

- Presupporre sempre che l'apparecchio sia carico. Maneggiare l'apparecchio senza attenzione potrebbe provocare l'accidentale erogazione di elementi di fissaggio, dando luogo a infortuni.
- Utilizzare esclusivamente gli elementi di fissaggio specificati nel presente manuale. L'utilizzo di accessori non idonei per questo apparecchio potrebbe provocare infortuni e/o danneggiare l'apparecchio.
- Non toccare alcun componente del caricatore o della punta di contatto durante il funzionamento. Afferrare l'apparecchio solo dal manico o dal corpo principale.
- Non attivare l'apparecchio se questo non si trova in contatto con il pezzo da lavorare. Premere la punta di contatto di sicurezza con le dita o adoperare l'apparecchio in modo incauto potrebbe dar luogo a seri infortuni.
- Fissaggio di oggetti sottili. Occorre prestare particolare attenzione alla possibile penetrazione attraverso oggetti sottili, poiché ciò potrebbe provocare danni a persone o cose dietro il pezzo o nelle zone limitrofe.
- Non usare mai l'apparecchio come un martello. L'impatto improvviso potrebbe spostare componenti interni, provocando la scarica degli elementi di fissaggio con conseguenti lesioni.
- Non smontare o bloccare nessuna delle componenti del meccanismo di posa degli elementi di fissaggio.
- Prima di ogni utilizzo, accertarsi che i meccanismi di sicurezza e attivazione funzionino correttamente.
- Non puntare mai nessun apparecchio pneumatico verso sé stessi o verso altre persone. Durante il lavoro, tenere l'apparecchio in modo tale che non si possano causare lesioni alla testa o al corpo in caso di potenziali rinculi.
- Non sparare in aria o nel vuoto. Gli elementi di fissaggio possono trapassare pezzi sottili o scivolare via dagli angoli e dai bordi mettendo potenzialmente a rischio le persone.
- Evitare di posare elementi di fissaggio sopra altri elementi di fissaggio.
- Non utilizzare questo apparecchio per il fissaggio di cavi elettrici. Questo apparecchio non è progettato per l'installazione di cavi elettrici e potrebbe danneggiare i cavi, provocando scosse elettriche o rischi di incendio.
- Attenzione ai pericoli nascosti. Assicurati sempre che non ci sia il pericolo di urtare cavi elettrici, tubi dell'acqua o del gas nascosti. Utilizzare rilevatori appropriati per stabilire l'eventuale presenza di condutture (elettricità, gas o acqua) nascoste nell'area di lavoro o rivolgersi ai propri fornitori per assistenza.

Manutenzione

- Per ottenere le migliori prestazioni è necessaria una lubrificazione frequente, ma non eccessiva. L'olio aggiunto attraverso il collegamento d'aria lubrificerà le parti interne. Sebbene sia preferibile l'impiego di un lubrificatore automatico, l'aggiunta di olio può essere effettuata anche manualmente prima di ogni utilizzo o dopo circa un'ora di utilizzo continuo. Sono necessarie solo poche gocce di olio ogni volta. Una quantità eccessiva d'olio si accumulerà all'interno dell'apparecchio e verrà espulsa durante il ciclo di spurgo. Utilizzare solo olio per utensili pneumatici. Evitare di utilizzare olio detergente o additivi, poiché questi lubrificanti hanno l'effetto di accelerare l'usura della guarnizione.
- Utilizzare una piccola quantità di olio su tutte le superfici mobili e sui perni.
- Accumulo d'acqua e sporco all'interno dell'alimentazione d'aria sono le principali cause dell'usura degli apparecchi pneumatici. Per risultati più soddisfacenti e una vita utile prolungata utilizzare un filtro/lubrificatore. Il filtro dovrà avere una portata adeguata all'applicazione. Consultare le istruzioni del produttore per una corretta manutenzione del filtro.
- Una corretta pulizia dell'apparecchio favorisce prestazioni migliori e una maggiore sicurezza durante l'uso. Utilizzare soluzioni detergenti non infiammabili solo se necessario (attenzione: tali soluzioni potrebbero danneggiare il "O-ring e altre parti dell'utensile). Non immergere.

Consulenza sul Prodotto e Assistenza Tecnica

Cosa fare in caso di problemi con l'apparecchio Tacwise? Posta elettronica service@tacwise.com

Riciclo

Riciclare i materiali indesiderati invece di smaltirli con i normali rifiuti. Gli apparecchi e i relativi imballaggi dovrebbero essere opportunamente differenziati, trasportati al centro di raccolta differenziata più vicino e smaltiti secondo modalità sicure per l'ambiente. In alternativa, si prega di scrivere all'indirizzo service@tacwise.com per ottenere gratuitamente ulteriori informazioni sul corretto smaltimento dell'apparecchio.

Risoluzione dei problemi

Interrompere immediatamente l'utilizzo dell'apparecchio se si verificano i problemi seguenti. Questo eviterà potenziali infortuni. Qualsiasi operazione di riparazione o sostituzione dovrà essere svolta da personale qualificato o dai centri assistenza autorizzati.

| Problema | Causa del problema | Soluzione |
|--|---|--|
| Perdita d'aria nell'area grilletto | 1. O-ring della valvola d'innesto danneggiata. 2. Testa valvola d'innesto danneggiata. 3. Stelo valvola d'innesto, O-ring o guarnizione danneggiati. | 1. Ispezionare e sostituire il O-ring. 2. Ispezionare e sostituire la testa della valvola d'innesto. 3. Controllare e sostituire lo stelo della valvola d'innesto, la guarnizione o il O-ring. |
| Perdita d'aria tra il corpo e la piastra anteriore | 1. O-ring pistone o ammortizzatore danneggiato. | 1. Ispezionare e sostituire il O-ring o l'ammortizzatore. |
| Perdita d'aria tra il corpo e il tappo del cilindro | 1. Vite allentate. 2. Guarnizione danneggiata. | 1. Stringere le viti. 2. Ispezionare e sostituire la guarnizione. |
| La lama spinge troppo in profondità | 1. Ammortizzatore usurato. 2. Pressione aria troppo elevata. | 1. Sostituire l'ammortizzatore. 2. Regolare la pressione dell'aria |
| L'apparecchio funziona lentamente o si verificano perdite di potenza | 1. Olio insufficiente. 2. Alimentazione d'aria insufficiente. 3. Molla danneggiata nel coperchio del cilindro . 4. Sfiato nel coperchio del cilindro ostruito. | 1. Lubrificare secondo le istruzioni. 2. Ispezionare l'alimentazione dell'aria. 3. Sostituire la molla. 4. Sostituire i componenti interni danneggiati. |
| L'apparecchio salta un elemento di fissaggio | 1. Ammortizzatore usurato o molla danneggiata. 2. Sporco in corrispondenza della piastra anteriore. 3. Portata d'aria verso l'apparecchio non adeguata. 4. O-ring pistone usurato o secco. 5. O-ring valvola d'innesto danneggiata. 6. Guarnizione del coperchio del cilindro perde. | 1. Sostituire l'ammortizzatore o lo spingi molla. 2. Pulire canale della piastra anteriore. 3. Controllare i raccordi del tubo e del compressore. 4. Sostituire il O-ring o lubrificare. 5. Sostituire il O-ring. 6. Sostituire la guarnizione. |
| Elementi di fissaggio inceppati | 1. Giunto guida usurato. 2. Fissazioni danneggiate o di dimensione non idonea. 3. Viti caricatore o piastra anteriore allentate. 4. Lama gruppo pistone danneggiata. | 1. Sostituire il giunto guida. 2. Utilizzare fissazioni in buone condizioni e del tipo consigliato. 3. Stringere le viti. 4. Sostituire il gruppo pistone |

| | | |
|---|---|---|
| L'apparecchio non inserisce completamente la fissazione | <ol style="list-style-type: none"> 1. Lama usurata nel gruppo pistone. 2. Potenza insufficiente. 3. Ciclo lento e perdita di potenza | <ol style="list-style-type: none"> 1. Sostituire il gruppo pistone. 2. Portare la pressione dell'aria a livelli adeguati. 3. Ispezionare la molla del coperchio del cilindro per identificare eventuali danni o accertarsi che la lunghezza della molla sia sufficiente. Verificare la presenza di eventuali ostruzioni a livello dello sfiato del coperchio del cilindro. |
|---|---|---|

Garanzia

Tutti gli apparecchi Tacwise sono soggetti a verifiche e collaudi accurati, nonché a rigorosi controlli di qualità. Tacwise offre la seguente garanzia per tutti gli apparecchi pneumatici. La presente garanzia non pregiudica i diritti previsti dalla garanzia in base al contratto di vendita con il rivenditore, compresi i diritti previsti dalla legge.

Un mese di garanzia

Se non si è completamente soddisfatti delle prestazioni dell'apparecchio Tacwise o se quest'ultimo risulta difettoso o danneggiato al momento dell'acquisto, ci impegniamo a sostituire l'apparecchio o a emettere un rimborso completo entro 28 giorni dall'acquisto. Sarà necessario presentare una prova di acquisto sotto forma di ricevuta originale e l'apparecchio integro dovrà essere restituito al punto di acquisto. Questo non pregiudica i vostri diritti legali.

Garanzia standard di un anno dell'apparecchio

Se l'apparecchio pneumatico Tacwise dovesse risultare difettoso entro 12 mesi dalla data di acquisto a causa di materiali o manodopera difettosi, vi garantiamo la sostituzione di tutte le parti difettose o, a nostra discrezione, la sostituzione dell'apparecchio. Tuttavia, questa garanzia di un anno non copre le parti soggette a essere consumate, come lame di trasmissione, O-ring, molle ecc.

Garanzia standard di 6 mesi sulle parti soggette a usura

Gli apparecchi pneumatici Tacwise e tutte le loro parti soggette a usura sono garantite da difetti per 6 mesi dalla data di acquisto.

Nessuna di queste garanzie copre:

- Apparecchi sottoposti a modifiche o aggiunte non autorizzate.
- Difetti causati dall'utilizzo di accessori, componenti o ricambi diversi dagli accessori o ricambi originali/approvati Tacwise.
- Componenti soggetti a normale usura in seguito a utilizzo conforme alle indicazioni.
- Difetti dell'apparecchio causati da uso improprio, condizioni ambientali anomale o condizioni di funzionamento inadeguate, nonché dall'inosservanza delle nostre indicazioni d'uso o la manutenzione insufficiente.
- Sarà necessario presentare una prova d'acquisto sotto forma di ricevuta originale.

Manuale utente

Dati Tecnici

| Caratteristica | Valore |
|------------------------------------|-----------------------------|
| Tipo di modello | A7116LN |
| Tipologia punti | Tacwise punti tipo 71 |
| Lunghezza punti | 4 mm – 16 mm |
| Capacità del caricatore | 180 |
| Pressione di esercizio minima | 60 psi / 4,14 bar |
| Pressione di esercizio massima | 100 psi / 6,89 bar |
| Ingresso aria | 1/4" (6 mm) NPT |
| Consumo aria | 0,8 CFM @ 90 psi / 6,20 bar |
| Peso | 1,1 kg |
| Livello di emission di vibrazioni* | 1,63 m/s ² |

* Il livello dell'emissione di vibrazioni dichiarato si riferisce alle principali applicazioni dell'apparecchio. Tuttavia, se l'utensile viene utilizzato per applicazioni diverse, con accessori diversi o sottoposto a scarsa manutenzione, l'emissione di vibrazioni può differire. Può aumentare significativamente il livello di esposizione durante il periodo di lavoro.

**Dichiarazione di Conformità
A7116LN**


Questo apparecchio è stato progettato in Conformità alle Norme e agli Standard introdotti nel Quadro delle Direttive Europee. Dipartimento Qualità, Tacwise Group Plc – Regno Unito.

Caratteristiche (Fig. A)

1. Grilletto
2. Spina a rilascio rapido (raccordo europeo)
3. Leva di sgancio del caricatore
4. Caricatore

Impostazione

L'apparecchio pneumatico è fornito completamente montato. Prima dell'uso, attaccare il tubo dell'aria e gli accessori desiderati. La Fig. B illustra gli accessori raccomandati e l'ordine di installazione. Assicurarsi che il tubo dell'aria sia depressurizzato quando si installano o si rimuovono gli adattatori alla linea dell'aria.

Collegamento dell'apparecchio all'alimentazione d'aria (Fig. B)

- Determinare se l'apparecchio necessita olio e, se necessario, inserire due gocce d'olio nella presa d'aria come mostrato nella Fig. B. Se si utilizza un oliatore automatico in linea, controllare e aggiungere olio se necessario.
- Accendere il compressore e impostare il regolatore alla pressione corretta per le dimensioni e il tipo di dispositivi di fissaggio utilizzati.
- Collegare l'apparecchio all'alimentazione d'aria.

Caricamento dei dispositivi di fissaggio (Fig.C)

- Posizionare lo strumento con il caricatore in alto.
- Premere la leva di sgancio del caricatore per rilasciare il caricatore.
- Estrarre il caricatore.
- Inserire una striscia di elementi di fissaggio (con le gambe rivolte verso l'alto) nel canale del caricatore.
- Far scorrere il caricatore fino allo scatto della leva di sgancio del caricatore.

NOTA: Si raccomanda vivamente di utilizzare solo punti approvati/originali Tacwise.

Uso dell'apparecchio

- Collegare l'apparecchio all'alimentazione d'aria. Assicurarsi che la pressione rientri in quella specificata nella sezione Dati tecnici.
- Caricare gli elementi di fissaggio come indicato nella sezione Caricamento dei dispositivi di fissaggio.
- Afferrare il corpo dell'apparecchio e premere la punta sulla superficie di lavoro; assicurarsi che l'apparecchio sia dritto, quindi premere delicatamente il grilletto per azionare il dispositivo di fissaggio.
- Sollevare l'apparecchio dalla superficie di lavoro.

Rimozione di un dispositivo di fissaggio inceppato

NOTA: È necessario rimuovere eventuali dispositivi di fissaggio inceppati prima di riutilizzare l'apparecchio. Se si continua a utilizzare l'apparecchio mentre è inceppato, si rischia di danneggiare il meccanismo.

- Scollegare l'apparecchio dall'alimentazione dell'aria compressa.
- Togliere eventuali dispositivi di fissaggio inutilizzati dal canale del caricatore; questo dovrebbe anche rimuovere gli elementi inceppati.
- Dopo la rimozione di un dispositivi di fissaggio inceppato, testare attentamente il funzionamento dell'apparecchio prima di procedere con qualsiasi lavoro. Se i dispositivi di fissaggio si inceppano frequentemente, si raccomanda rivolgersi a un tecnico Tacwise o a un centro di assistenza autorizzato.

