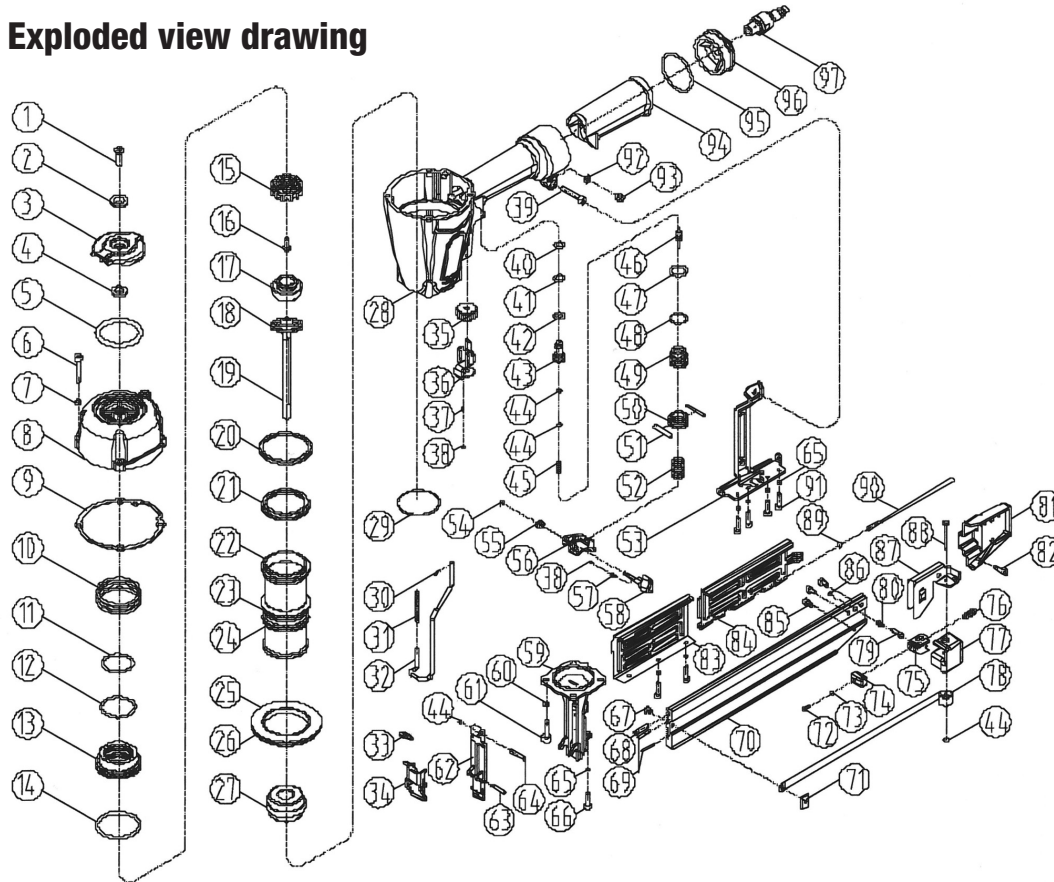


G1450V 50mm FRAMING AIR STAPLER

For replacement parts contact your usual Tacwise supplier.

Exploded view drawing



Item	Description	Item	Description	Item	Description
1	Screw	39	Screw	77	Feeder Plate
2	Bushing	40	O-Ring 9.5 x 1.9	78	Spring
3	Exhaust Cover	41	O-Ring 10.3 x 1.9	79	Feeder Pin
4	Seal	42	O-Ring 12.8 x 1.9	80	Spring
5	Silencer	43	Trigger Valve Head	81	Magazine Plate
6	Screw	44	O-Ring 5.5 x 1.5	82	Screw
7	Spring Washer	45	Spring	83	Securing Plate
8	Cylinder Cap	46	Trigger Valve Stem	84	Moving Plate
9	Gasket	47	O-Ring 20.3 x 2.5	85	Screw
10	Spring	48	O-Ring 20.3 x 1.5	86	Washer
11	O-Ring 36.3 x 2.5	49	Valve Guide	87	Feeder Shoe
12	O-Ring 40.2 x 2.3	50	Trigger Valve Guide	88	Restrictive Pin
13	Valve	51	Spring Pin	89	O-Ring 6.4 x 1.8
14	O-Ring 51.7 x 3.5	52	Spring	90	Running Pin
15	Valve Seat	53	Joint Plate	91	Screw
16	Screw	54	Locking Washer	92	Washer
17	Stopped Washer	55	Rotating Shaft Bushing	93	Nut
18	O-Ring 42 x 3.5	56	Trigger Assembly	94	Soft Grip Sleeve
19	Piston Assembly	57	Spring	95	O-Ring 48.8 x 2.5
20	Collar	58	Rotating Shaft Pin	96	End Cap
21	Cylinder Seal	59	Driver Guide	97	Air Plug
22	Cylinder	60	Spring Washer		
23	O-Ring 52.4 x 2.5	61	Screw		
24	O-Ring 48.8 x 2.5	62	Front Plate		
25	Restrictive Plate	63	Spring Pin		
26	O-Ring 76.36 x 2.62	64	Pin		
27	Bumper	65	Spring Washer		
28	Body	66	Screw		
29	O-Ring 46 x 1.3	67	Screw		
30	Spring Pin	68	Screw		
31	Spring	69	Spring Pin		
32	Safe Bracket	70	Magazine		
33	Latch Sleeve	71	Spring Plate		
34	Latch Assembly	72	Pin		
35	Adjust Nut	73	O-Ring 4.5 x 1.3		
36	Bracket	74	Button		
37	Spring	75	Button Plate		
38	Steel Ball	76	Spring		