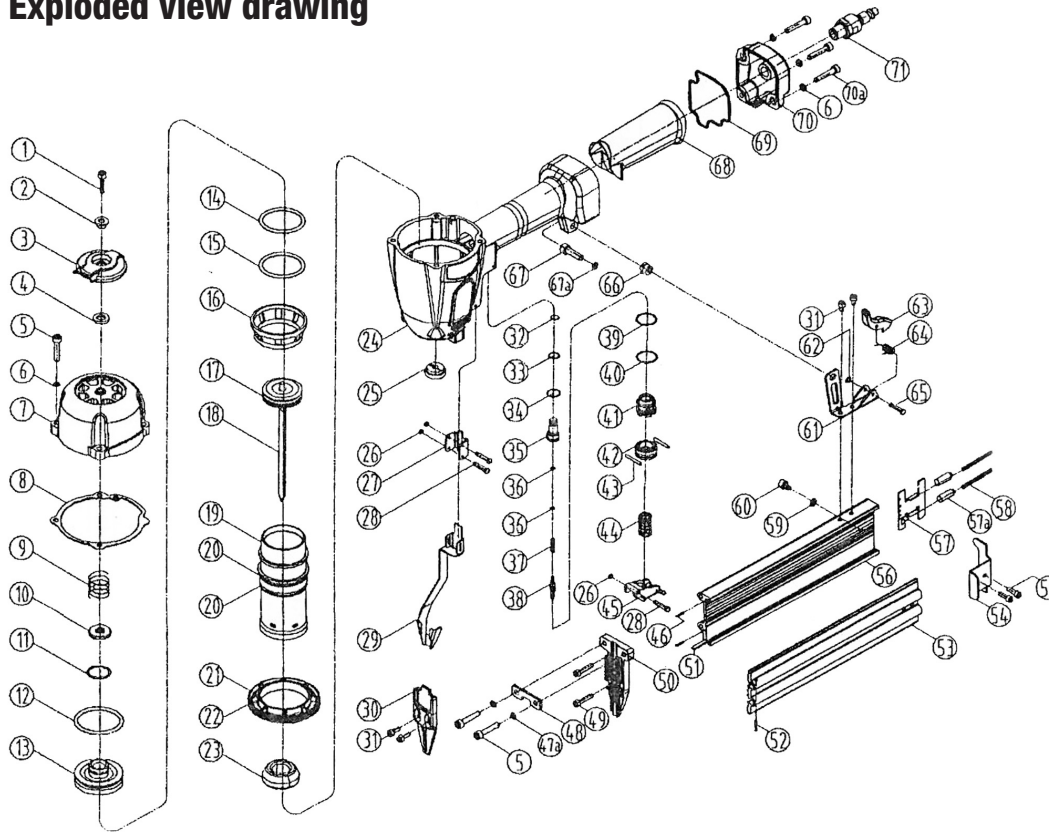


## DFN50V 50mm FINISH NAILER

For replacement parts contact your usual Tacwise supplier.

### Exploded view drawing



Item	Description	Item	Description
1	Screw	39	O-Ring 20.3 x 2.5
2	Bushing	40	O-Ring 20.3 x 1.5
3	Exhaust Cover	41	Valve Set
4	Seal	42	Trigger Valve Guide
5	Screw	43	Spring Pin
6	Washer	44	Trigger Spring
7	Cylinder Cap	45	Trigger Assembly
8	Gasket	46	Spring Pin
9	Spring	47	Screw
10	Valve Seal	47a	Spring Washer
11	O-Ring 22.8 x 2.5	48	Plate
12	O-Ring 49.2 x 3.5	49	Screw
13	Valve	50	Driver Guide
14	O-Ring 43.3 x 3.5	51	Rail
15	O-Ring 28.3 x 3	52	Spring Pin
16	Collar	53	Movable Magazine
17	O-Ring 40.3 x 3.5	54	Stopped Plate
18	Piston Assembly	55	Screw
19	Cylinder	56	Fixed Magazine
20	O-Ring 47 x 2.5	57	Feeder Shoe
21	Restrictive Plate	57a	Spring Seat
22	O-Ring 66.6 x 2.6	58	Spring
23	Bumper	59	Washer
24	Body	60	Stopped Screw
25	Restrictive Shim	61	Support
26	Washer	62	Locking Washer
27	Safe Guide	63	Lock
28	Trigger Pin	64	Torsion Spring
29	Safe Bracket	65	Pin
30	Front Plate	66	Nut
31	Screw	67	Screw
32	O-Ring 9.5 x 1.9	67a	Washer
33	O-Ring 10.3 x 1.9	68	Soft Grip Sleeve
34	O-Ring 12.8 x 1.9	69	Gasket
35	Trigger Valve Head	70	End Cap
36	O-Ring 5.5 x 1.5	70a	Screw
37	Spring	71	Air Plug
38	Trigger Valve Stem		