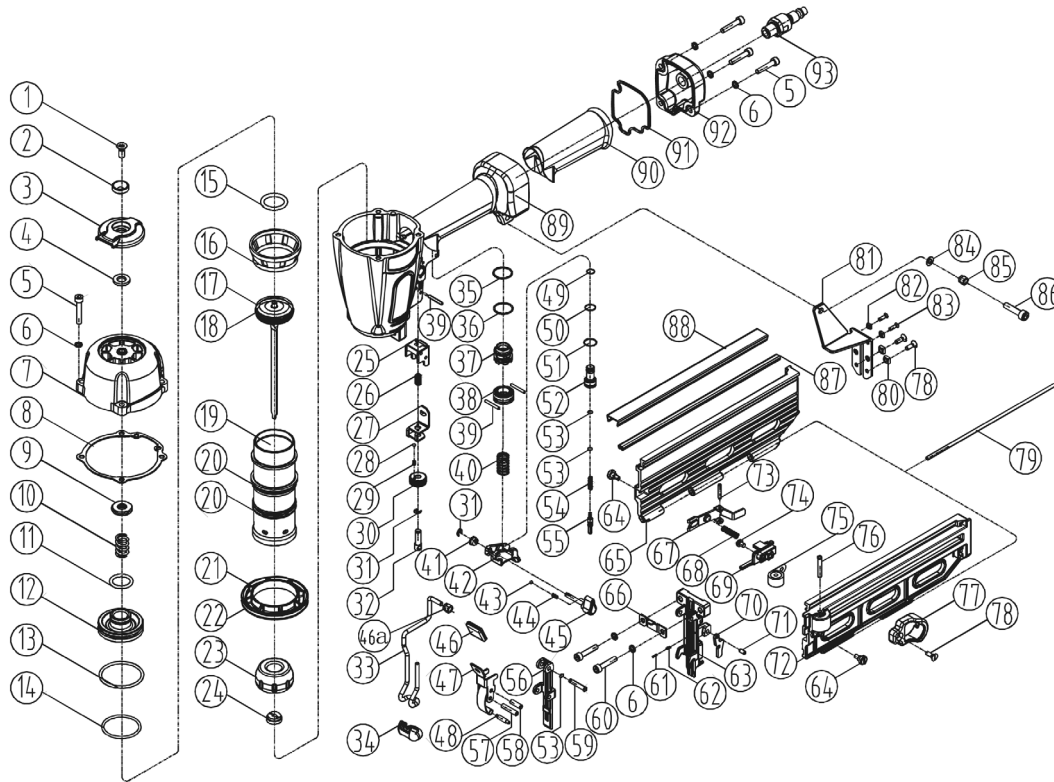


GFN64V 64mm FINISH NAILER

For replacement parts contact your usual Tacwise supplier.

Exploded view drawing



| Item | Description | Item | Description | Item | Description |
|------|---------------------|------|------------------------|------|------------------|
| 1 | Screw | 39 | Spring Pin | 76 | Pin |
| 2 | Bushing | 40 | Trigger Spring | 77 | Feeder Lock |
| 3 | Exhaust Cover | 41 | Rotating Shaft Bushing | 78 | Screw |
| 4 | Seal | 42 | Trigger Assembly | 79 | Clamp Screw |
| 5 | Screw | 43 | Steel Ball | 80 | Nut |
| 6 | Spring Washer | 44 | Spring | 81 | Support |
| 7 | Cylinder Cap | 45 | Rotating Shaft Pin | 82 | Nut |
| 8 | Gasket | 46 | Latch Sleeve | 83 | Screw |
| 9 | Valve Seal | 47 | Latch Assembly | 84 | Washer |
| 10 | Spring | 48 | Nut | 85 | Nut |
| 11 | O-Ring 22.8 x 2.5 | 48a | Nut | 86 | Screw |
| 12 | Valve | 49 | O-Ring 9.5 x 1.9 | 87 | Rail |
| 13 | O-Ring 49.2 x 3.5 | 50 | O-Ring 10.3 x 1.9 | 88 | Casket Plate |
| 14 | O-Ring 43.3 x 3.5 | 51 | O-Ring 12.8 x 1.9 | 89 | Body |
| 15 | O-Ring 28.3 x 2.3 | 52 | Trigger Valve Head | 90 | Soft Grip Sleeve |
| 16 | Collar | 53 | O-Ring 5.5 x 1.5 | 91 | Gasket |
| 17 | Piston Assembly | 54 | Spring | 92 | End Cap |
| 18 | O-Ring 40.3 x 3.5 | 55 | Trigger Valve Stem | 93 | Air Plug |
| 19 | Cylinder | 56 | Front Plate | | |
| 20 | O-Ring 47 x 2.5 | 57 | Spring Pin | | |
| 21 | Restrictive Plate | 58 | Spring Pin | | |
| 22 | O-Ring 66.6 x 2.6 | 59 | Pin | | |
| 23 | Bumper | 60 | Screw | | |
| 24 | Guider | 61 | Spring Pin | | |
| 25 | Safety Guider | 62 | Spring | | |
| 26 | Spring | 63 | Drive Guide | | |
| 27 | Safety Bracket | 64 | Stopped Screw | | |
| 28 | Steel Ball | 65 | Nail Casket (Right) | | |
| 29 | Spring | 66 | Plate | | |
| 30 | Nut | 67 | Feeder Shoe | | |
| 31 | Locking Washer | 68 | Spring | | |
| 32 | Safety Joining | 69 | Feeder Guider | | |
| 33 | Safety Bracket | 70 | Safety Plate | | |
| 34 | Bracket Sleeve | 71 | Pin | | |
| 35 | O-Ring 20.3 x 2.5 | 72 | Nail Casket (Left) | | |
| 36 | O-Ring 20.3 x 1.5 | 73 | Pin | | |
| 37 | Valve Guide | 74 | Screw | | |
| 38 | Trigger Valve Guide | 75 | Coil Spring | | |